



WT260165



Optional accessories

WA027500:

Stacking kit with pull-out shelf

WMZ20600:

Wool in basket - accessory

WTZPW20D:

Platform with pull-out, dryer, cubic

installation accessories

Tumble dryer with heat pump 200 series
9 kg

WT260165

- Very silent drying with only 62 db
 - Heat Pump Technology
 - Self-cleaning condenser for automatic fluff removal
 - Smart Dry automatically selects the right dryer program based on the last washing program
 - Steam Refresh: refreshes and removes creases from dry laundry
 - Heat pump technology
- Twin rotary compressor for reduced energy consumption
- Self-cleaning condenser for automatic fluff removal
- Very silent drying with only 58 db
- Smart Dry automatically selects the right dryer program based on the last washing program

Handling

- Illuminated rotary knob with integrated On-Off switch.
- Large touch display with clear text and symbols.
- Programme sequence and remaining time display.
- Time delay up to 24 h hours.
- Multiple signal tones.

Features

- Moisture and time controlled programmes.
- Heat pump technology.
- Self-cleaning heat exchanger.
- Refresh function without previous washing cycle.
- Anti-crease cycle at programme end.
- Top-up function.
- Child lock.

Selected digital services (Gaggenau Home Connect)

- Smart Energy Management.
- Smart Dry (Washing machine automatically selects correct dryer program).
- Remote control and monitoring.

Programmes

- Cottons.
- Eco Cottons.
- Easy care.
- Mix.
- Super 40.
- Textile Guard.
- Steam Assist.
- Shirts/Blouses.
- Wool in Basket.
- Hygiene.
- Towels.
- Duvet.
- Timed program warm.
- App Programmes: Smart Dry, Sports, Dessous, Synthetics, Down, Timed program cold.
- Options: Smart Dry, Refresher Options, Half Load, Remote Start, Anti Crease, Easy Iron, Drying Target, Spin Speed, Gentle Dry, Favourite.

Features

- varioSoft drum system.
- Dry wool without shrinking or matting thanks to

- the included basket for woollens.
- Volume capacity from 1 to 9 kg.
- Drum interior lighting.

Product rating

Energy efficiency class A+++ at a range of energy efficiency classes from A+++ to D.

Planning notes

Combines perfectly with washing machine WM 260 165 and WM 260 166.

Right-hinged, reversible.

Large porthole with 180 ° opening angle.

Height-adjustable feet.

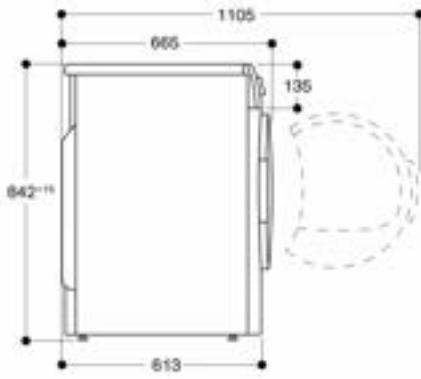
Height for slide-under installation: 84.2 cm.

Stackable above washing machine WM 260 165 and WM 260 166 in combination with special accessory. With pull-out shelf WA 027 500.

Connection

Total connected load 0.6 KW.

Connection cable 1.45 m with plug.

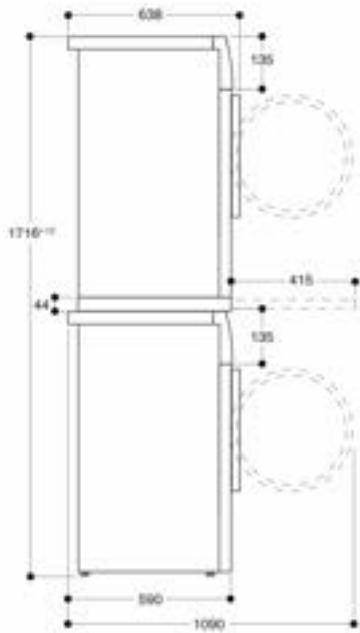


Measurements in mm



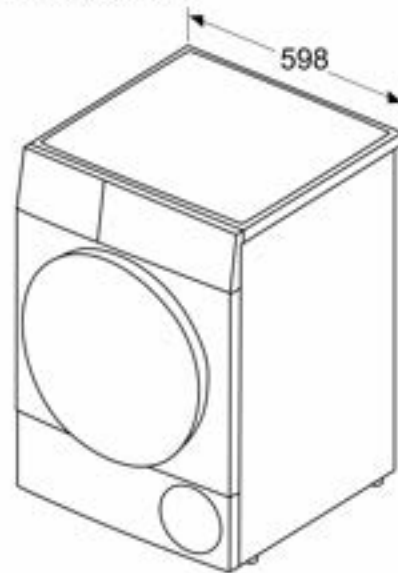
Measurements in mm

Side view of WT 260 above WM 260 with connection kit accessory



Measurements in mm

Measurements in mm



Measurements in mm

