



VI414115

Optional accessories

WP400001:

Wok pan

WZ400000:

Wok ring

Installation accessories

CKI410000:

1 knob, induction, black

CKI410010:

1 knob, induction, stainless steel

VA420004:

Connecting strip Serie 400, flush, short

VA420010:

Connecting strip Serie 400, top, short

Vario induction cooktop 400 series

38 cm

VI414115

– Solid stainless steel knob, also in black robust finishing, for precise control and personalisation

– Can be combined perfectly with other Vario appliances of the 400 series

– 32 cm cooking zone with booster function

Solid stainless steel knob, also selectable with black robust finishing, for precise control and personalisation

Precision crafting of 3 mm stainless steel

For surface installation with a visible edge or for flush installation

Ideal for the original wok pan with round bottom, with wok ring

Can be combined perfectly with other Vario appliances of the 400 series

Cooking zones

1 induction cooking zone \varnothing 21 cm (2200 W, with booster 3700 W), automatically switches to \varnothing 26 cm (2600 W, with booster 3700 W) and to \varnothing 32 cm (3300 W, with booster 3700 W).

Handling

Control knobs with illuminated ring, cooking zone and output level markings.

Electronic power control in 12 stage (1...12).

User friendly control with two color display (white / orange).

Features

Frying sensor function.

Booster function.

Stopwatch.

Short-term timer.

Options menu.

Power management.

Selected digital services (Gaggenau Home Connect)

Cooktop-based ventilation control (with suitable hood).

Remote monitoring.

Remote diagnostics.

Integrated WiFi module for digital services (Home Connect).

The availability of the Home Connect functionality depends on the availability of the Home Connect Services in your country. Home Connect Services are not available in every country – for further information please check: www.home-connect.com

Safety

Operation indicator.

Pot detection.

2 stage Hh residual heat indicator for each zone

Safety shut-off.

Planning notes

Depending on the type of installation (surface-mounted or flush-mounted), the specific location of the cut-out and the knob positions may vary.

The drawing "Installation of the control knob" must be observed if the panel is more than 23 mm thick (there must be a recess at the rear).

If combining several Vario appliances of the 400 series, a connection strip VA 420 must be placed between the appliances. Depending on the type of installation, the corresponding connection strip must be provided.

The bearing capacity and stability, in the case of thin worktops in particular, must be supported using suitable substructures. Take into account the appliance weight and additional loads.

Additional instructions for flush installation:

Installation is possible in worktops made of stone, synthetics or solid wood. Heat resistance and watertight sealing of the cut edges must be observed. Concerning other materials please consult the worktop manufacturer.

The groove must be continuous and even, so that uniform placing of the appliance on the gasket is ensured. Do not use discontinuous lining.

The joint width may vary due to size tolerances of the combinations and of the worktop cut-out. If installing several appliances in individual cut-outs allow for a division bar of minimum 50 mm between the individual cut-outs.

Operates with magnetic (induction) iron pots and pans only. For an optimal heat distribution, the use of sandwich bottom cookware is recommended.

Special accessories (order as spare parts):

Part No. 17006018 Frying sensor pan, \varnothing 20 cm

Part No. 17006184 Frying sensor pan, \varnothing 24 cm

Part No. 17006185 Frying sensor pan, \varnothing 28 cm

Part No. 17006019 Frying sensor pan, \varnothing 32 cm

Appliance can be snapped into the worktop from above.

Appliance weight: approx. 9.

Connection

Total connected load 3.7 KW.

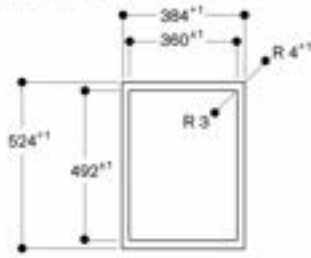
Connecting cable 1.50 m without plug.

Power consumption standby/display off 0.5 W.

Power consumption standby/network 1.4 W.

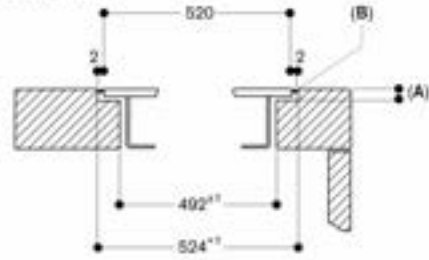
Please check the user manual for how to switch off the WiFi module.

View from above



measurements in mm

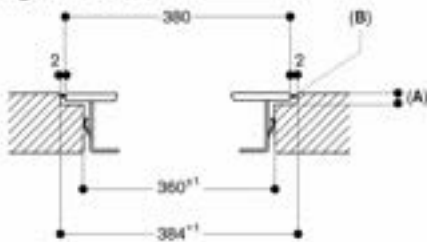
Cross-section



A: 3.5^{mm}
B: Fill with silicone

measurements in mm

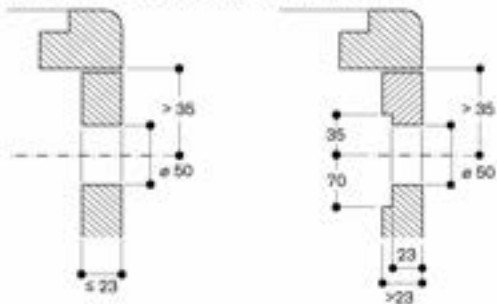
Longitudinal section



A: 3.5^{mm}
B: Fill with silicone

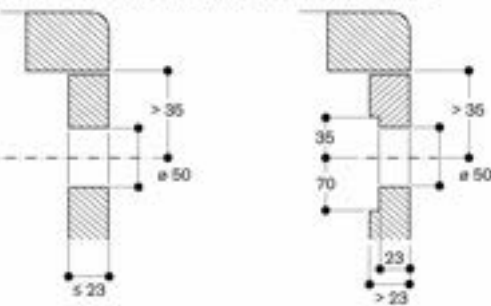
measurements in mm

Installation of the control knob; flush installation

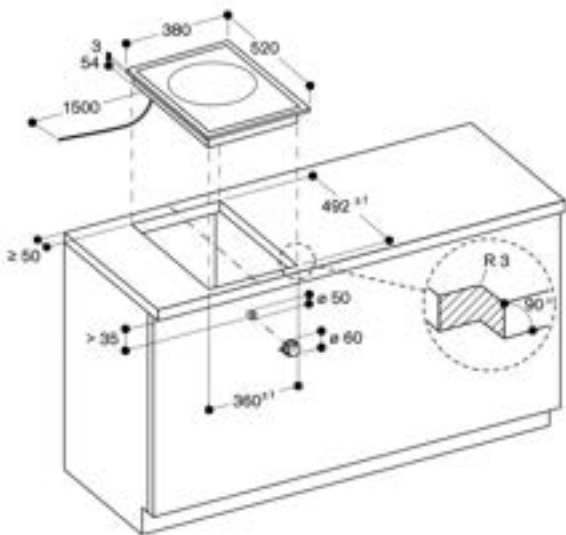


measurements in mm

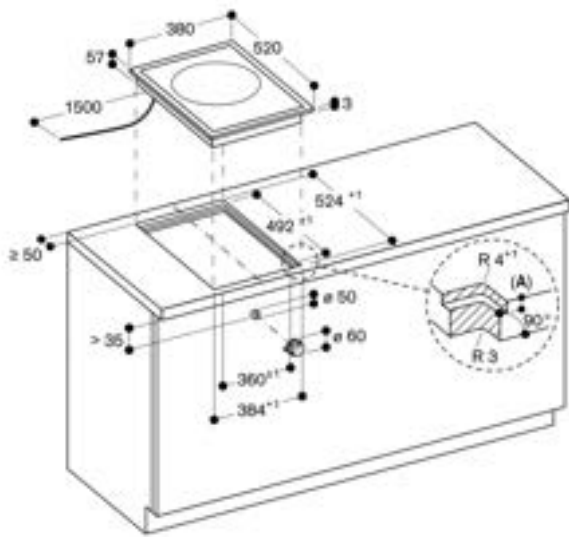
Installation of the control knob; surface mounting



measurements in mm



measurements in mm



A: 3.5^{±0.2}

measurements in mm