



VG491215

Included accessories

1 x wok attachment ring

Optional accessories

WP400001:

Wok pan

Installation accessories

CKG450000:

5 knobs, gas, black

CKG450010:

5 knobs, gas, stainless steel

VA420004:

Connecting strip Serie 400, flush, short

VA420010:

Connecting strip Serie 400, top, short

Vario gas cooktop 400 series

90 cm, Natural gas 20 mbar

VG491215

- Full electronic power level regulation on 12 levels
- Can be combined perfectly with other Vario appliances of the 400 series
- Multi-ring burner with 6 KW

- Five multi-ring burners, up to 18 kW

Full electronic power level regulation on 12 levels

Solid stainless steel knob, also selectable with black robust finishing, for precise control and personalisation

Precision crafting of 3 mm stainless steel

For surface installation with a visible edge or for flush installation

Precise and reproducible flame size

Automatic fast ignition, electronic flame monitoring with automatic re-ignition

Simmer function for cooking on a very low output level

Solid smooth-surface cast pan supports

Can be combined perfectly with other Vario appliances of the 400 series

Cooking zones

1 multi-ring wok burner (300 W – 6000 W), suitable for pots up to max. \varnothing 32 cm.

2 two-ring high output burners (165 W – 4000 W), suitable for pots up to max. \varnothing 28 cm.

2 two-ring standard burners (165 W – 2000 W), suitable for pots up to max. \varnothing 28 cm.

Handling

Control knobs with illuminated ring, cooking zone and output level markings.

One-handed operation.

Full electronic control in 12 output levels for exact power level adjustment plus simmer function.

Automatic fast ignition.

Features

Simmer function.

Three-part cast pan support with flat, continuous pot surface.

Brass burner rings.

Safety

Electronic flame monitoring with automatic re-ignition.

Residual heat indication.

Safety shut-off.

Planning notes

Depending on the type of installation (surface-mounted or flush-mounted, with or without an appliance cover), the specific location of the cut-out and the knob positions may vary.

The horizontal positioning of the knobs may be aligned with the specific burners.

The drawing "Installation of the control knob" must be observed if the panel is more than 23 mm thick (there must be a recess at the rear).

If combining several Vario appliances of the 400 series, a connection strip VA 420 must be placed between the appliances. Depending on the type of installation, the corresponding connection strip must be provided.

The bearing capacity and stability, in the case of thin worktops in particular, must be supported using suitable substructures. Take into account the appliance weight and additional loads.

Additional instructions for flush installation:

Installation is possible in worktops made of stone, synthetics or solid wood. Heat resistance and watertight sealing of the cut edges must be observed. Concerning other materials please consult the worktop manufacturer.

The groove must be continuous and even, so that uniform placing of the appliance on the gasket is ensured. Do not use discontinuous lining.

The joint width may vary due to size tolerances of the combinations and of the worktop cut-out.

If installing several appliances in individual cut-outs allow for a division bar of minimum 50 mm between the individual cut-outs.

Special nozzles can be ordered as spare parts.

Plan for an electrical connection (the appliance is not operable without power supply).

Air intake from above.

No intermediate shelf required.

Rear panel and wall trims must be heat-resistant and consist of a non-flammable material.

A minimum lateral clearance of at least 300 mm from adjacent heat-sensitive furniture or contact surfaces must be observed or thermal insulation fitted.

Installation in a 90 cm wide lower cabinet is required.

With a total connected load of more than 11 kW local regulations concerning room ventilation, room size and combination of extraction or recirculation hoods must be observed.

The minimum distance between the cooktop surface and a cabinet above, out of combustible material, needs to be 76 cm.

The minimum distance to a ventilation above is shown at the planning hints for the individual ventilation product.

The combination with VL 414 is not recommended, since the air extraction from the centre burner cannot be guaranteed due to the distance.

Appliance can be snapped into the worktop from above.

Appliance weight: approx. 30.

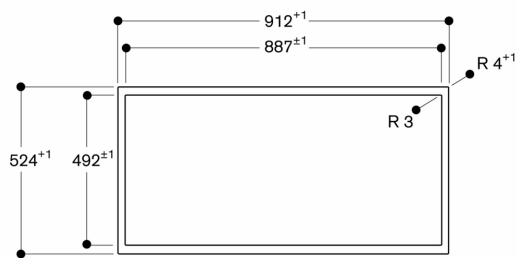
Connection

Total connected load gas 18.0 KW.

Total connected load electric 15.0 W.

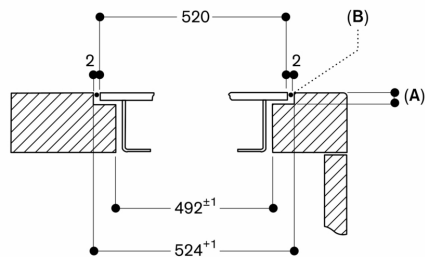
Connecting cable 1.4 m with plug.

View from above



measurements in mm

Cross-section

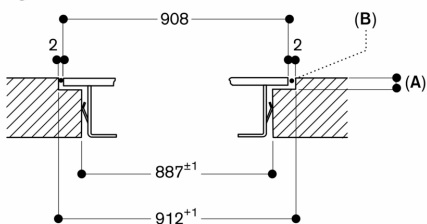


A: 3.5^{±0.5}
6.5^{±0.5} in combinations with frameless induction hobs

B: Fill with silicone

measurements in mm

Longitudinal section

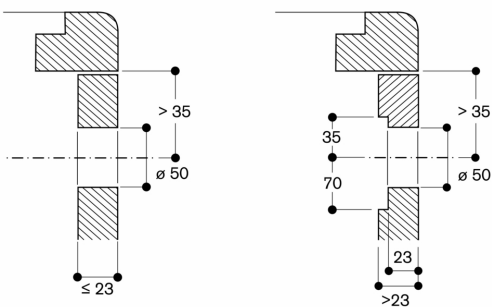


A: 3.5^{±0.5}
6.5^{±0.5} in combinations with frameless induction hobs

B: Fill with silicone

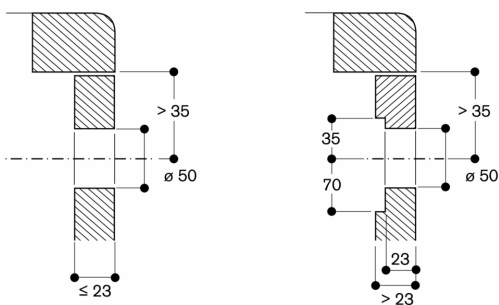
measurements in mm

Installation of the control knob; flush installation

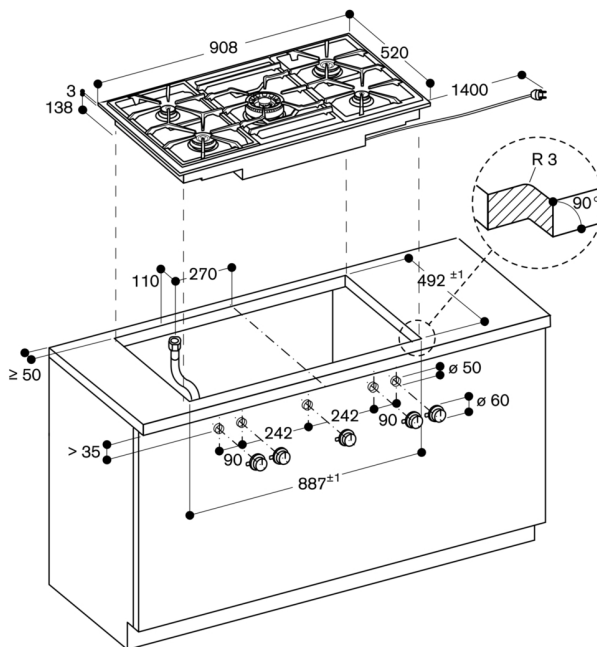


measurements in mm

Installation of the control knob; surface mounting



measurements in mm



measurements in mm

