



RW414365



Included accessories

1 x connection set

Optional accessories

RA430000:

Screw hole cover set

RA491161:

Extendable bottle tray, oak wood, RW 414

RA492160:

Tray, oak wood, for RW414

RA493060:

DECOR FRAME RA 493-060

RA498140:

Bottle support, oak wood, for RW414

installation accessories

RA420010:

Door lock for RW 414 and RW 464/466

RA421111:

SS doorframe 45,7cm / 18" left

RA428111:

SS doorframe w/o handle 45,7cm / 18

RA460013:

Heating side kit 230V

RA464111:

Vent grille 45.7cm / 18 w/o filter

RA421112:

SS doorframe 45,7cm / 18 right

RA423140:

Side trims, long

RA425110:

Vario SS handle 1131 mm

Vario wine climate cabinet 400 series

212.5 x 45.1 cm

RW414365

- Five preset lighting scenarios
 - High-quality interior for optimum wine presentation
 - Humidity control
 - Two independantly controllable climate zones
- Constant temperatures with exact control from +5 °C to +20 °C
- Humidity control
- Stainless steel interior
- Fully extendable bottle trays in oak wood and solid aluminium in anthracite
- Bottle trays with hidden telescopic rails
- Warm white and glare-free LED light spots
- 5 preset lighting scenarios, selectable via TFT display
- Opening assist for door with two options:
1. Push-to-open function for integration into handleless furniture front
 2. Pull-to-open function to facilitate opening the door using a handle
- Low-vibration operation
- TFT touch display
- Capacity 70 bottles

Handling

- TFT touch display operation.
- Clear text display.
- Lockable door (with door lock RA 420 010).

Features

- Dynamic cold air distribution.
- Automatic defrosting with defrost water evaporation.
- Cushioned door closing system.
- Activated charcoal air filter.
- UV-protection.
- Rest mode certified by Star-K.
- When rest mode is active, the appliance can only be opened using a handle.
- Open-door and malfunction alarm.

Selected digital services (Gaggenau Home Connect)

- Remote control and monitoring.
- Remote diagnostics.
- Light scenarios.
- Integrated WiFi module for digital services (Home Connect).
- The availability of the Home Connect functionality depends on the availability of the Home Connect Services in your country. Home Connect Services are not available in every country – for further information please check: www.home-connect.com

Features

- Capacity 70 bottles (based on 0.75 l standard bottles).
- 12 bottle trays,
- 10 fully extendable trays - 3 suitable for storage of Magnum bottles.
- Flexible interior configuration possible by adding or removing fully extendable bottle trays.
- Storage of up to 6 Magnum bottles with standard tray configuration (12 bottle trays).
- Space for max. 13 bottle trays.

- 2 brilliant LED light spots with warm white, glare-free light (3500 K) in each climate zone.
- 5 different lighting scenarios can be selected for individual wine presentation.
- Total volume 272 litres.

Product rating

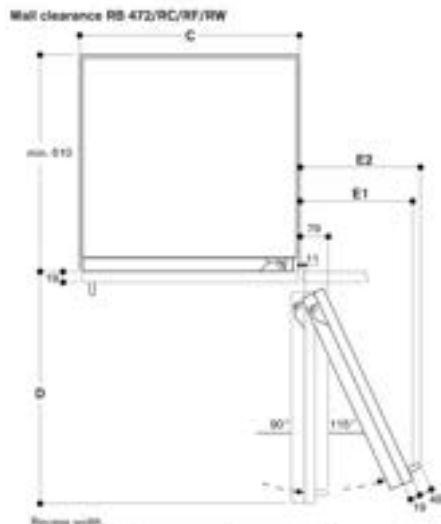
- Energy efficiency class G at a range of energy efficiency classes from A to G.
- Energy consumption 145 kWh/year.
- Noise level 42 dB (A) re 1 pW.

Planning notes

- Flat hinge.
- Door hinge right, reversible.
- Door opening angle of 115°, fixable at 90°.
- Max. door panel weight 76 kg.
- The main socket needs to be planned outside of the niche.
- No Transport/operation above 2000m sea level

Connection

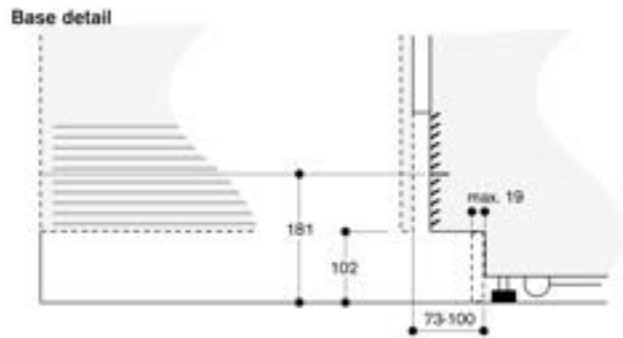
- Total connected load 0.300 KW.
- Connecting cable 3.0 m, pluggable.



Recess width

C	D	E1	E2
457 mm	525 mm	226 mm	265 mm
610 mm	677 mm	299 mm	330 mm
762 mm	830 mm	364 mm	388 mm
914 mm	983 mm	428 mm	450 mm

In the drawing, a unit from thickness of 18 mm and a Gaggeneau unit handle of 40 mm were taken as a basis.



Based on the standard appliance height, the height of the plinth is 102 mm. Maximum plinth thickness 19 mm.