



RF287370



Optional accessories

installation accessories

Vario freezer 200 series

177.5 x 56 cm

RF287370

- Opening assist for door with two options
- Interior with precision-fitted, solid aluminium elements in Gaggenau Light Bronze
- Immerse your kitchen in a mesmerizing glow with Gaggenau's Glare-Free LED Light Spots and showcase your dishes like never before.

- Interior with precision-fitted, solid aluminium elements in Gaggenau Light Bronze

Opening assist for door:

1. Push-to-open function for integration into handleless furniture front

2. Door opening via voice assistant possible
Safety glass shelves, set in solid aluminium profiles

Drawers with solid aluminium handles and signature drawer front with a gradual frosted surface

Warm white interior lighting (3500 K) with integrated glare-free LED side lights

Direct access through open storage areas

Combines with fridge RC 289 (side-by-side integration)

Combines with wine climate cabinet RW 282 (Side-by-side integration)

Cushioned door closing system allowing a soft and controlled door closure

Total volume 212 litres

Handling

Electronic temperature control with temperature display.

Touch keys.

Features

Dynamic cold air distribution.

Cushioned door closing system from 20° door opening angle, integrated in door hinge.

Open-door and malfunction alarm.

Selected digital services (Gaggenau Home Connect)

Remote control and monitoring.

Door opening via voice assistant.

Integrated WiFi module for digital services (Home Connect).

The availability of the Home Connect functionality depends on the availability of the Home Connect Services in your country. Home Connect Services are not available in every country – for further information please check: www.home-connect.com

Freezing

No-frost technology with fast freezing.

Temperature adjustable from -14 °C to -24 °C.

4-star freezer compartment.

Freezing capacity 14 kg /24 h.

Storage time after a malfunction 9 h.

3 freezer drawers, 1 of which is extra large, removable.

6 safety glass shelves, 3 of which are set in solid aluminium profiles, removable.

Product rating

Energy efficiency class E at a range of energy efficiency classes from A to G.

Energy consumption 235 kWh/year.

Noise level 35 dB (A) re 1 pW.

Planning notes

Flat hinge.

Door hinge left, reversible.

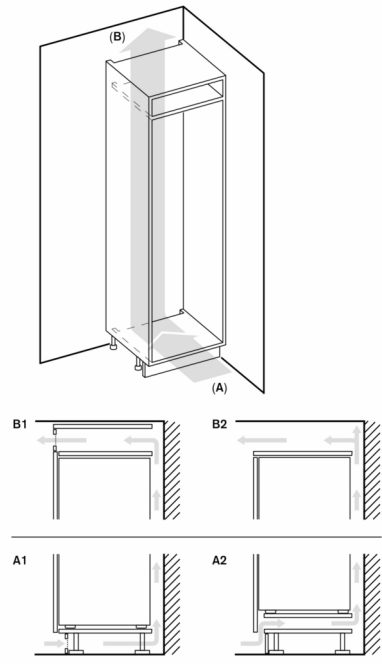
Door opening angle of 115°, fixable at 90°.

Max. door panel weight 27 kg.

For a side-by-side installation every appliance must be planned in its own niche.

Connection

Connecting cable 2.3 m with plug.



A: Air inlet $\geq 200 \text{ cm}^2$; ventilation options A1 or A2
 B: Air outlet $\geq 200 \text{ cm}^2$; ventilation options B1 or B2

