



RF282306



Included accessories

1 x ice cube tray

Optional accessories

RA260000:

Heavy duty hinge support (RB 2x)

installation accessories

freezer 200 series

177.5 x 56 cm

RF282306

Flexible interior configuration: all drawers and safety glass shelves can be removed
Combines with fridge RC 282 (Side-by-side)
Combines with wine climate cabinet RW 282 (Side-by-side integration)
Cushioned door closing system allowing a soft and controlled door closure
Total volume 212 litres

Handling

Electronic temperature control with temperature display.

Touch keys.

Features

Dynamic cold air distribution.

Cushioned door closing system from 20° door opening angle, integrated in door hinge.

Open-door and malfunction alarm.

Selected digital services (Gaggenau Home Connect)

Remote control and monitoring.

Integrated WiFi module for digital services (Home Connect).

The availability of the Home Connect functionality depends on the availability of the Home Connect Services in your country. Home Connect Services are not available in every country – for further information please check: www.home-connect.com

Freezing

No-frost technology with fast freezing.

Temperature adjustable from -14 °C to -24 °C.

4-star freezer compartment.

Freezing capacity 13.8 kg /24 h.

Storage time after a malfunction 8 h.

5 freezer drawers, 2 of which extra large.

4 safety glass shelves between the freezer drawers.

2 safety glass shelves with transparent front.

All freezer drawers and safety glass shelves can be removed.

Product rating

Energy efficiency class E at a range of energy efficiency classes from A to G.

Energy consumption 235 kWh/year.

Noise level 35 dB (A) re 1 pW.

Planning notes

Flat hinge.

Door hinge left, reversible.

Door opening angle of 115°, fixable at 90°.

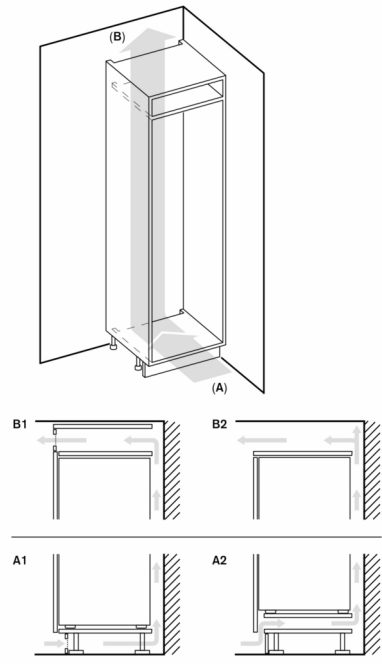
Max. door panel weight 27 kg.

For a side-by-side installation every appliance must be planned in its own niche.

Connection

Total connected load 0.12 KW.

Connecting cable 2.3 m with plug.



A: Air inlet $\geq 200 \text{ cm}^2$; ventilation options A1 or A2
 B: Air outlet $\geq 200 \text{ cm}^2$; ventilation options B1 or B2

