



**Vario refrigerator 200 series**  
**177.2 x 55.8 cm**  
**RC289370**

- Interior with precision-fitted, solid aluminium elements in Gaggenau Light Bronze
- Immerse your kitchen in a mesmerizing glow with Gaggenau's Glare-Free LED Light Spots and showcase your dishes like never before.

- Interior with precision-fitted, solid aluminium elements in Gaggenau Light Bronze

Opening assist for door:

1. Push-to-open function for integration into handleless furniture front
2. Door opening via voice assistant possible

Extendable shelves and drawers

3 climate zones incl. 3 fresh cooling drawers close to 0 °C

Height-adjustable, extendable safety glass shelves, set in solid aluminium profiles

Combines with freezer RF 287

(Side-by-Side-Integration)

Cushioned door closing system allowing a soft and controlled door closure

Smooth running fully extendable telescopic pull out racks and a cushioned closing system allow a soft and controlled closure of the drawers

Solid maple bottle supports with magnetic connector

Total volume 289 litres

#### Handling

Electronic temperature control with digital display.

Touch keys.

#### Features

Automatic defrosting with defrost water evaporation.

Cushioned door closing system from 20° door opening angle, integrated in door hinge.

Open-door and malfunction alarm.

#### Selected digital services (Gaggenau Home Connect)

Remote control and monitoring.

Door opening via voice assistant.

Integrated WiFi module for digital services (Home Connect).

The availability of the Home Connect functionality depends on the availability of the Home Connect Services in your country. Home Connect Services are not available in every country – for further information please check: [www.home-connect.com](http://www.home-connect.com)

#### Cooling

Fast cooling.

Temperature adjustable from +3 °C to +8 °C.

6 height-adjustable safety glass shelves, partly extendable.

1 frosted white glass shelf.

2 oiled, solid maple bottle supports with magnetic connector, can be increased to 5 supports per shelf.

A total of 9 bottles (based on a 0.75 l bottle) can be stored on one level using 5 bottle supports.

The bottle supports are also suitable for storing champagne bottles and magnums.

1 large aluminium door rack for bottles.

3 aluminium door racks.

Warm white interior lighting (3500 K) with integrated glare-free LED side lights.

Volume 206 litres.

#### Fresh cooling close to 0 °C

Drawers with solid aluminium handles and signature drawer front with a gradual frosted surface.

1 fully extendable fresh cooling drawer close to 0 °C, illuminated.

Humidity can be adjusted manually.

Ideal for fruit and vegetables.

2 fully extendable fresh cooling drawers close to 0 °C, illuminated.

Ideal for meat, fish and poultry.

Net volume 83 litres.

#### Product rating

Energy efficiency class D at a range of energy efficiency classes from A to G.

Energy consumption 120 kWh/year.

Noise level 36 dB (A) re 1 pW.

#### Planning notes

Flat hinge.

Door hinge right, reversible.

Door opening angle of 115°, fixable at 90°.

Max. door panel weight 27 kg.

For a side-by-side installation every appliance must be planned in its own niche.

#### Connection

Connecting cable 2.3 m with plug.

RC289370



#### Included accessories

2 x egg tray

2 x wooden bottle holder magnetic

1 x Heavy-duty hinge support

#### Optional accessories

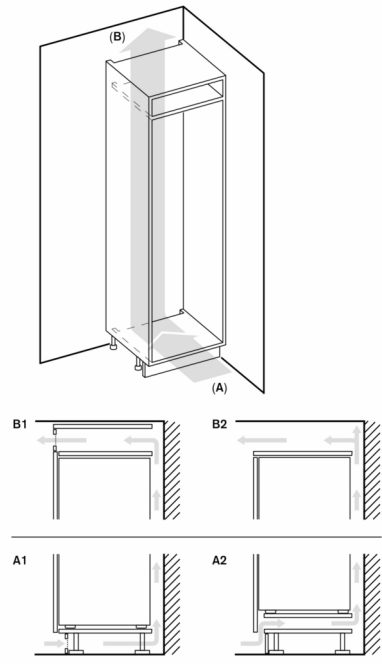
RA238030:

Bottle support, maple wood, 1 pcs.

RA430100:

Storage container with lid, anthracite

#### installation accessories



A: Air inlet  $\geq 200 \text{ cm}^2$ ; ventilation options A1 or A2  
 B: Air outlet  $\geq 200 \text{ cm}^2$ ; ventilation options B1 or B2

