



GW483120

warming drawer Gaggenau Expressive series
76 x 21 cm
GW483120

- Handleless opening with a light push for convenience and style
- Seamlessly integrated with multiple Gaggenau appliances, offering flexibility and a harmonious aesthetics
- Hygienic stainless steel and glass interior for effortless cleaning and elegant design
- Six power levels and four heating modes ensure consistent temperature control for various culinary needs
- Personalisation function via Home Connect.

Highlights

Handleless drawer

Bright interior light

Push-to-open function.

Hygienic stainless steel interior with glass bottom

Direct temperature selection in the range 30 °C to 80 °C.

Also for low-temperature cooking, dough proving, herbs and fruits drying, chocolate melting and defrosting.

Heating methods

Preheating of small beverage containers.

Warming ovenware.

Keeping meals warm.

Low-temperature cooking.

Direct temperature control.

16 additional programmes via Home Connect.

Handling

Touch key operation.

Features

Net volume 47 litres.

Volume capacity: Dinner service for 10 people including ø 27 cm plates and soup bowls, additional bowls and a serving dish depending on size.

Capacity load max. 25 kg.

Usable interior dimensions

W701 mm x H 166 mm x D 405 mm.

Heating system for even heat distribution and stable cavity temperature.

Status indicator, visible on the frame.

Glass bottom made of safety glass.

Selected digital services (Gaggenau Home Connect)

Additional programmes and recipes.

Remote control and monitoring.

Timing function.

Planning notes

Plan the niche without back wall.

Protrusion from appliance front to furniture cabinet 42 mm.

Consider the overhang when planning to open drawers next to the appliance.

Installation directly above the drawer without intermediate floor.

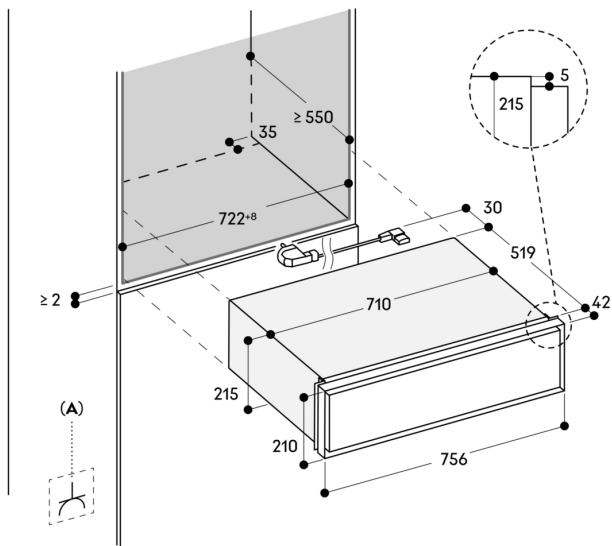
The mains socket must be accessible and located outside the built-in niche.

The socket can be planned behind the appliance.

Connection

Total connected load 0.82 KW.

Connection cable 1.75 m, pluggable.



A: Accessible electrical connection

Measurements in mm