



GS470120



1 x outlet hose 3m  
1 x water inlet hose 3m  
1 x cleaning cartridge

BA010050:  
Core temperature probe

BA010301:  
Telescopic racks for combi-steam oven

BA020361:  
Container st. steel unperf

BA020370:  
Container st. steel perf

BA020382:  
Container non-stick unperf

BA020391:  
Container non-stick perf

BA046118:  
Glass tray 60cm

CLS10040:  
Cleaning cartridge, 4 pcs.

GN010330:  
GN-adapter

GN114130:  
GN insert unperf, st. steel, GN1/3, 40mm

GN114230:  
GN insert unperf, st. steel, GN2/3, 40mm

GN124130:  
GN insert perf, st. steel, GN1/3, 40mm

GN124230:  
GN insert perf, st. steel, GN2/3, 40mm

GN340230:  
Gastronorm roaster GN 2/3

GA601010:  
Adjustable intermediate shelf 60cm

GZ010011:  
inlet and outlet hose extension

combi-steam oven Gaggenau Expressive series  
60 x 45 cm, door hinge: right  
GS470120

- Automatic programmes and setting recommendations enables precise and perfect results
- Seamless interface design with refined aesthetics, featuring a floating stainless steel ring and haptic feedback
- Full-size side-hinged door with one-touch opening for easy, ergonomic access
- Advanced cleaning program delivers pristine results, keeping the appliance spotless with minimal effort
- Full surface grill with steam modes for consistent, flavourful cooking
- 

#### Highlights

Handleless full glass door with electronic door opening.  
Full touch display with stainless steel control ring.  
Light and display response upon user detection.  
Fixed inlet and outlet water connection  
External steam generation  
Automatic cleaning with perfect results, also for heavy soiling.  
Hot air 30 °C to 230 °C can be combined with chosen humidity level of 0%, 30%, 60%, 80% or 100%  
Sous-vide cooking with accurate temperature regulation  
Full surface grill behind glass ceramic, combinable with circulated air up to 230 °C and steam  
Automatic programmes and setting recommendations.  
Net volume 50 litres.

#### Heating methods / Programmes

Hot air + 100 % humidity.  
Hot air + 80 % humidity. Hot air + 60 % humidity.  
Hot air + 30 % humidity. Hot air + 0 % humidity.  
Grill + circulated air. Grill level 1 + humidity. Grill level 2 + humidity. Sous-vide cooking. Low temperature cooking. Dough proving. Keeping warm. Defrosting. Regenerating.  
200 programmes (automatic programmes and setting recommendations).  
Option to save up to 30 favourites.

#### Handling

Cushioned side-opening door with 110 ° opening angle.  
Electronic door opening.  
Full touch display with control ring.  
42 display languages available.  
User detection, adjustable distance.  
Info texts for additional information.  
Animated quick guides to assist appliance operation.

#### Features

Full surface grill 2 kW behind glass ceramic.  
Hot air fan rotates in both directions for ideal heat distribution  
Connection for core temperature probe (oven temperature probe usable).  
Grill can be added briefly in hot air mode for additional browning.  
Misting.

Steam removal.  
Automatic boiling point detection.  
Precise temperature control with display of the current temperature.  
Timer functions: cooking time, cooking time end, count-up timer.  
Long-term timer.  
Programmable automatic door opening at cooking time end to avoid overcooking.  
Optimum visibility of the food thanks to side lighting.  
3 tray levels.

#### Selected digital services (Gaggenau Home Connect)

Remote control and monitoring.  
Cooking time estimation when using the core temperature probe.  
Door opening via voice assistant.

#### Safety

Child lock to prevent accidental switch on or operation of the appliance.  
Electronic door lock to prevent unintentional opening of the appliance door.  
Safety shut-off.  
Thermally insulated door with triple glazing.  
Cooled housing with temperature protection.

#### Cleaning

Hygienic stainless steel cooking interior.  
Automatic cleaning. Automatic descaling for the steam generator.  
Drying programme.  
Automatic drying of the cavity at the end of the cooking process.  
All removable parts and accessories dishwasher-safe, incl. stainer filter.

#### Planning notes

Plan the niche without back wall.  
Door hinge not reversible.  
No other electrical appliances should be installed above the GS.  
At no point may the outlet hose be positioned higher than the bottom edge of the appliance. The outlet hose must also be at least 100 mm lower than the appliance outlet (see drawing "drain connection").  
Inlet and outlet hose can be extended once. The outlet hose must not be longer than a maximum of 5 m.  
The water connection for the inlet hose must always be accessible and not located directly behind the appliance.  
The connection of the outlet hose to the siphon must not be directly behind the appliance and should be accessible.  
Protrusion from appliance front to furniture cabinet 42 mm.  
Consider the overhang when planning to open drawers next to the appliance.  
When planning a corner solution, pay attention to the side-opening door and the minimum required distance to the wall.  
Door opening angle appr. 110° (delivery status) can be reduced to appr. 97° if required.  
The mains socket must be accessible and located outside the built-in niche.  
Special accessories (order as spare part):

Part No. 17002490 Descaling tablets.

**Connection**

Energy efficiency class A at a range of energy efficiency classes from A+++ to D.

Total connected load 3.1 KW.

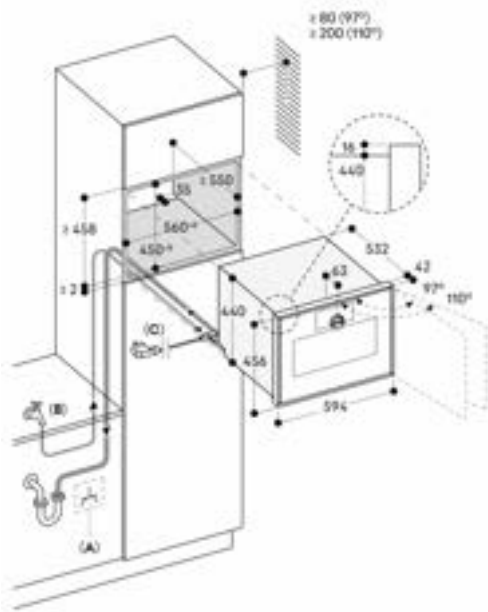
Only cold water connection.

To allow water detection, softened water must have a conductivity of  $> 200\mu\text{S}/\text{cm}$ .

Inlet hose 3.0 m with connection pipe thread ISO228-G 3/4" ( $\varnothing 26.4$  mm), extendable.

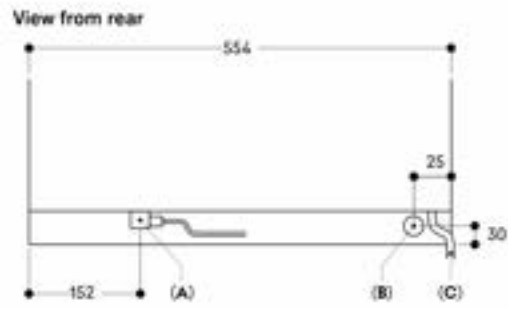
Outlet hose ( $\varnothing 25$  mm) 3.0 m (HT-Hose), extendable.

Connection cable 1.75 m, pluggable.



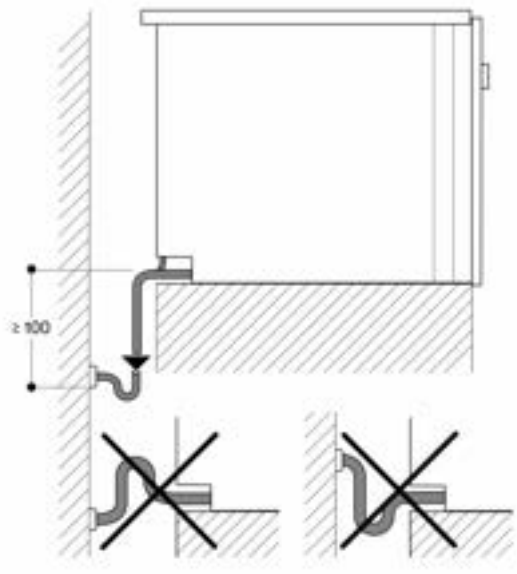
- A: Accessible electrical connection
- B: Accessible water connection
- C: Cable with or without plug, depending on country

Measurements in mm



- A: Electric terminal box
- B: Water outlet
- C: Cold water inlet

Measurements in mm



Measurements in mm