



**GS270100**



#### Included accessories

1 x outlet hose 3m  
 1 x water inlet hose 3m  
 1 x cleaning cartridge  
 1 x wire rack perforated  
 1 x cooking insert unperforated

#### Optional accessories

**GN124130:**  
 GN insert perf, st. steel, GN1/3, 40mm

**GN124230:**  
 GN insert perf, st. steel, GN2/3, 40mm

**GN340231:**  
 Gastronorm roaster GN 2/3

**CLS10040:**  
 Cleaning cartridge, 4 pcs.

**GN010330:**  
 GN-adapter

**GN114130:**  
 GN insert unperf, st. steel, GN1/3, 40mm

**GN114230:**  
 GN insert unperf, st. steel, GN2/3, 40mm

**BA010050:**  
 Core temperature probe

**BA010301:**  
 1 Triple pull-out rail for combi-steam

**BA020361:**  
 Container st. steel unperf

**BA020370:**  
 Container st. steel perf

**BA020382:**  
 Container non-stick unperf

**BA020391:**  
 Container non-stick perf

**BA046118:**  
 Glass tray 60cm

#### installation accessories

**GA601010:**  
 Adjustable intermediate shelf 60cm

**GZ010011:**  
 inlet and outlet hose extention

**combi-steam oven Gaggenau Minimalistic series**  
**60 x 45 cm, door hinge: right**  
**GS270100**

#### Highlights

Flush installation  
 Handleless full glass door with electronic door opening.  
 Full touch display with stainless steel control ring.  
 Light and display response upon user detection.  
 Fixed inlet and outlet water connection  
 External steam generation  
 Automatic cleaning with perfect results, also for heavy soiling.  
 Hot air 30 °C to 230 °C can be combined with chosen humidity level of 0%, 30%, 60%, 80% or 100%  
 Sous-vide cooking with accurate temperature regulation  
 Full surface grill behind glass ceramic, combinable with circulated air up to 230 °C and steam  
 Automatic programmes and setting recommendations.  
 Net volume 50 litres.

#### Heating methods / Programmes

Hot air + 100 % humidity.  
 Hot air + 80 % humidity.  
 Hot air + 60 % humidity.  
 Hot air + 30 % humidity.  
 Hot air + 0 % humidity.  
 Grill + circulated air.  
 Grill level 1 + humidity.  
 Grill level 2 + humidity.  
 Sous-vide cooking.  
 Low temperature cooking.  
 Dough proving.  
 Keeping warm.  
 Defrosting.  
 Regenerating.  
 200 programmes (automatic programmes and setting recommendations).  
 Option to save up to 30 favourites.

#### Handling

Cushioned side-opening door with 110 ° opening angle.  
 Electronic door opening.  
 Full touch display with control ring.  
 42 display languages available.  
 User detection, adjustable distance.  
 Info texts for additional information.  
 Animated quick guides to assist appliance operation.

#### Features

Full surface grill 2 kW behind glass ceramic.  
 Hot air fan rotates in both directions for ideal heat distribution  
 Connection for core temperature probe (oven temperature probe usable).  
 Grill can be added briefly in hot air mode for additional browning.  
 Misting.  
 Steam removal.  
 Automatic boiling point detection.  
 Precise temperature control with display of the current temperature.

Timer functions: cooking time, cooking time end, count-up timer.

Long-term timer with pre-programmable heating cycles.

Programmable automatic door opening at cooking time end to avoid overcooking.

Optimum visibility of the food thanks to side lighting.

3 tray levels.

#### Selected digital services (Gaggenau Home Connect)

Remote control and monitoring.

Cooking time estimation when using the core temperature probe.

Door opening via voice assistant.

#### Safety

Child lock to prevent accidental switch on or operation of the appliance.

Electronic door lock to prevent unintentional opening of the appliance door.

Safety shut-off.

Thermally insulated door with triple glazing.

Cooled housing with temperature protection.

#### Cleaning

Hygienic stainless steel cooking interior.

Automatic cleaning. Automatic cleaning.

Automatic descaling for the steam generator.

Drying programme.

Automatic drying of the cavity at the end of the cooking process.

All removable parts and accessories dishwasher-safe, incl. stainer filter.

#### Planning notes

Plan the niche without back wall.

Door hinge not reversible.

No other electrical appliances should be installed above the GS.

Protrusion from appliance front to furniture cabinet 21 mm.

This appliance is intended for front flush installation.

No protruding front panel, horizontal handle, high cabinet top etc. should be fitted directly above the combi-steam oven to prevent damage to the furniture.

The edge of a worktop must be steam resistant as is required above a dishwasher.

At no point may the outlet hose be positioned higher than the bottom edge of the appliance.

The outlet hose must also be at least 100 mm lower than the appliance outlet (see drawing "drain connection").

Inlet and outlet hose can be extended once.

The outlet hose must not be longer than a maximum of 5 m.

The water connection for the inlet hose must always be accessible and not located directly behind the appliance.

The connection of the outlet hose to the siphon must not be directly behind the appliance and should be accessible.

When planning a corner solution, pay attention to the side-opening door and the minimum required distance to the wall.

Door opening angle appr. 110° (delivery status) can be reduced to appr. 92° if required.

The mains socket must be accessible and located outside the built-in niche.

---

**GS270100**

---

Special accessories (order as spare part):  
Part No. 17002490 Descaling tablets.

**Connection**

Energy efficiency class A at a range of energy efficiency classes from A+++ to D.

Total connected load 3.1 KW.

Only cold water connection.

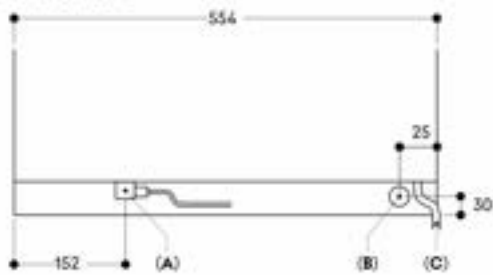
To allow water detection, softened water must have a conductivity of  $> 200\mu\text{S/cm}$ .

Inlet hose 3.0 m with connection pipe thread ISO228-G 3/4" ( $\varnothing$  26.4 mm), extendable.

Outlet hose ( $\varnothing$  25 mm) 3.0 m (HT-Hose), extendable.

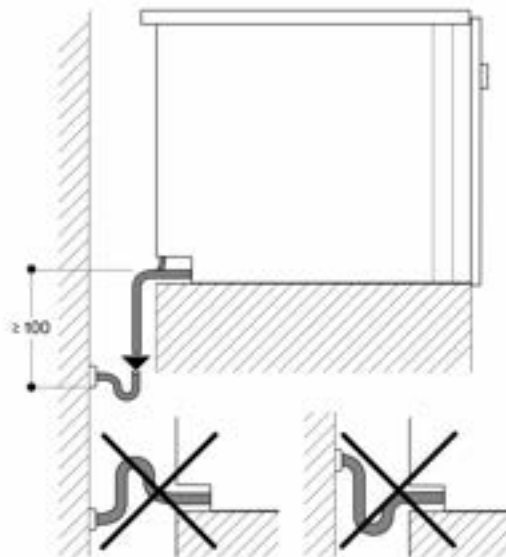
Connection cable 1.75 m, pluggable.

View from rear

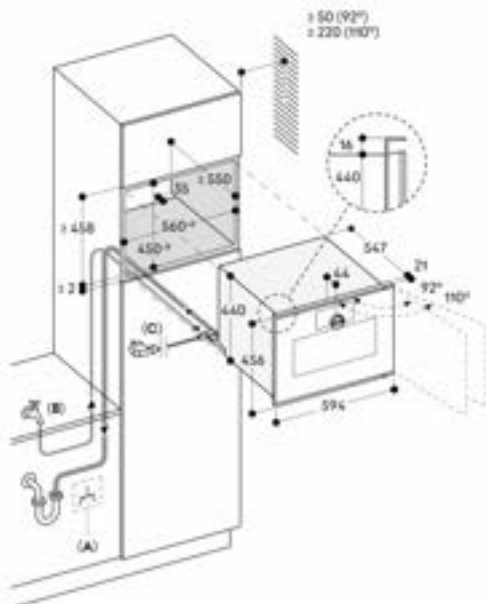


- A: Electric terminal box
- B: Water outlet
- C: Cold water inlet

Measurements in mm



Measurements in mm



- A: Accessible electrical connection
- B: Accessible water connection
- C: Cable with or without plug, depending on country

Measurements in mm