



GO251100



Included accessories

- 1 x baking tray
- 1 x grill tray
- 1 x wire rack
- 1 x core temperature probe

Optional accessories

BA020110:

Air frying tray 60cm

BA026116:

Baking tray, for 60cm oven

BA026117:

Grill tray, for 60cm oven

BA036106:

Wire rack, for 60cm oven

BA046118:

Glass tray 60cm

BA056134:

Baking stone for 60 cm pyro oven

BS020003:

Pizza paddle

GN340231:

Gastronorm roaster GN 2/3

installation accessories

oven Gaggenau Minimalistic series

60 x 60 cm, door hinge: left

GO251100

Highlights

- Flush installation
- Handleless full glass door with electronic door opening.
- Full touch display with stainless steel control ring.
- Light and display response upon user detection.
- Pyrolytic system
- Invisible full surface grill behind enamel.
- 15 heating methods from 30 °C to 300 °C, incl. baking stone function, roaster function, air frying, dehydrating.
- Automatic programmes and setting recommendations.
- Core temperature probe.
- Net volume 77 litres.

Heating methods / Programmes

- Hot air plus.
- Hot air eco.
- Top + bottom heat.
- Top heat.
- Bottom heat.
- Hot air + bottom heat.
- Moist baking.
- Grill + circulated air.
- Grill.
- Baking stone function.
- Roaster function.
- Air frying.
- Dehydrating.
- Dough proving.
- Defrosting.
- 160 programmes (automatic programmes and setting recommendations).
- Option to save up to 30 favourites.

Handling

- Cushioned side-opening door with 110 ° opening angle.
- Electronic door opening.
- Full touch display with control ring.
- 42 display languages available.
- User detection, adjustable distance.
- Info texts for additional information.
- Animated quick guides to assist appliance operation.

Features

- Invisible full surface grill behind enamel 3.4 kW.
- Grill can be added briefly in hot air mode for additional browning.
- Hot air fan rotates in both directions for ideal heat distribution
- Extra powerful bottom heating for baking stone and roaster function.
- Three-point core temperature probe with cooking time estimation via Home Connect.
- Precise temperature control with display of the current temperature.
- Rapid heating.
- Heated air cleaning catalyser.
- Timer functions: cooking time, cooking time end, count-up timer.
- Long-term timer with pre-programmable heating cycles.

- Programmable automatic door opening at cooking time end to avoid overcooking.
- Optimum visibility of the food thanks to side lighting.
- 4 tray levels.

Selected digital services (Gaggenau Home Connect)

- Remote control and monitoring.
- Cooking time estimation when using the core temperature probe.
- Door opening via voice assistant.

Safety

- Child lock to prevent accidental switch on or operation of the appliance.
- Electronic door lock to prevent unintentional opening of the appliance door.
- Safety shut-off.
- Thermally insulated door with quintuple glazing.
- Cooled housing with temperature protection.

Cleaning

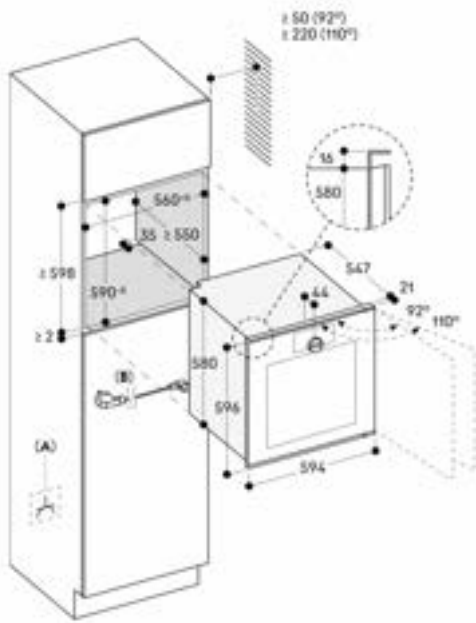
- Pyrolysis with minimized odour development thanks to the heated catalyser.
- Side shelf supports enamelled and pyrolysis-safe.
- Seamless cooking compartment without obstructive elements.

Planning notes

- Plan the niche without back wall.
- Door hinge not reversible.
- Protrusion from appliance front to furniture cabinet 21 mm.
- When planning a corner solution, pay attention to the side-opening door and the minimum required distance to the wall.
- Door opening angle appr. 110° (delivery status) can be reduced to appr. 92° if required.
- For installation underneath cooktops: distance between the underside of the cooktop and the top edge of the oven housing: min. 15 mm. The planning notes for the cooktops (particularly regarding ventilation, gas/electric connection) must be taken into account.
- The mains socket must be accessible and located outside the built-in niche.

Connection

- Energy efficiency class A at a range of energy efficiency classes from A+++ to D.
- Total connected load 3.7 KW.
- Connection cable 1.75 m, pluggable.



A: Accessible electrical connection
B: Cable with or without plug, depending on country

Measurements in mm