



GO220100



Included accessories

- 1 x baking tray
- 1 x grill tray
- 1 x wire rack

Optional accessories

- BA026116:**
Baking tray, for 60cm oven
- BA026117:**
Grill tray, for 60cm oven
- BA036106:**
Wire rack, for 60cm oven
- BA046118:**
Glass tray 60cm
- BA056132:**
Baking stone for 60 cm oven GO22X
- BA216103:**
1 Pull-out rail. 60cm GO22X
- BS020003:**
Pizza paddle

installation accessories

oven Gaggenau Minimalistic series
60 x 60 cm, door hinge: right
GO220100

Highlights

- Flush installation
- Handleless full glass door with electronic door opening.
- Full touch display with stainless steel control ring.
- Light and display response upon user detection.
- Invisible full surface grill behind enamel.
- 10 heating methods from 30 °C to 300 °C, incl. baking stone function.
- Automatic programmes and setting recommendations.
- Net volume 74 litres.

Heating methods / Programmes

- Hot air plus.
- Hot air eco.
- Top + bottom heat.
- Top heat.
- Bottom heat.
- Hot air + bottom heat.
- Moist baking.
- Grill + circulated air.
- Grill.
- Baking stone function.
- 120 programmes (automatic programmes and setting recommendations).
- Option to save up to 30 favourites.

Handling

- Cushioned side-opening door with 110 ° opening angle.
- Electronic door opening.
- Full touch display with control ring.
- 42 display languages available.
- User detection, adjustable distance.
- Info texts for additional information.
- Animated quick guides to assist appliance operation.

Features

- Invisible full surface grill behind enamel 3.4 kW.
- Grill can be added briefly in hot air mode for additional browning.
- Hot air fan rotates in both directions for ideal heat distribution
- Extra powerful bottom heating for baking stone function.
- Precise temperature control with display of the current temperature.
- Rapid heating.
- Timer functions: cooking time, cooking time end, count-up timer.
- Long-term timer with pre-programmable heating cycles.
- Programmable automatic door opening at cooking time end to avoid overcooking.
- Glare-free illumination of the cooking compartment.
- 5 tray levels.

Selected digital services (Gaggenau Home Connect)

- Remote control and monitoring.
- Door opening via voice assistant.

Safety

- Child lock to prevent accidental switch on or operation of the appliance.
- Electronic door lock to prevent unintentional opening of the appliance door.
- Safety shut-off.
- Thermally insulated door with quadruple glazing.
- Cooled housing with temperature protection.

Cleaning

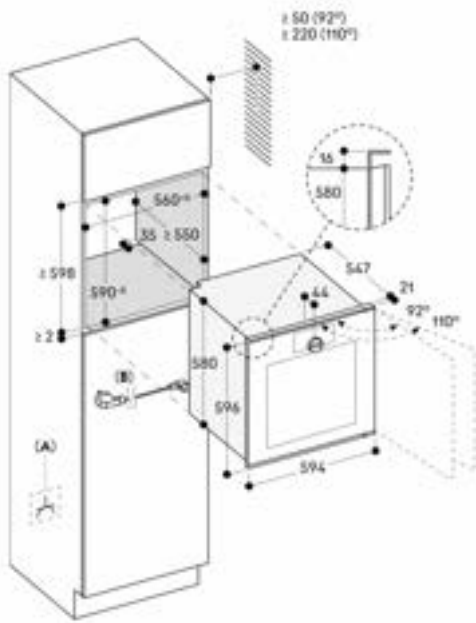
- Seamless cooking compartment without obstructive elements.

Planning notes

- Plan the niche without back wall.
- Door hinge not reversible.
- Protrusion from appliance front to furniture cabinet 21 mm.
- When planning a corner solution, pay attention to the side-opening door and the minimum required distance to the wall.
- Door opening angle appr. 110° (delivery status) can be reduced to appr. 92° if required.
- For installation underneath cooktops: distance between the underside of the cooktop and the top edge of the oven housing: min. 15 mm. The planning notes for the cooktops (particularly regarding ventilation, gas/electric connection) must be taken into account.
- The mains socket must be accessible and located outside the built-in niche.

Connection

- Energy efficiency class A at a range of energy efficiency classes from A+++ to D.
- Total connected load 3.7 KW.
- Connection cable 1.75 m, pluggable.



A: Accessible electrical connection
B: Cable with or without plug, depending on country

Measurements in mm