



GC261130

Optional accessories

GA022120:

Cleaning cartridge

GA022140:

Descaling cartridge

GA601010:

Adjustable intermediate shelf 60cm

installation accessories

GA601010:

Adjustable intermediate shelf 60cm

fully automatic coffee machine Gaggenau

Minimalistic series

60 x 45 cm

GC261130

Highlights

Full touch display with stainless steel control ring.

Light and display response upon user detection.

Dual operation modes: Classic mode and Barista mode.

Aroma brewing technology including intelligent strength adjustment for full aroma with every selected beverage size.

Personalisation function with profiles and favourites.

Fully automatic cleaning and descaling with cartridges.

Customizable, dynamic lighting scenarios.

Electronic grinding level adjustment.

Electronic fill level control for milk, water and coffee for a perfect result

Type of beverage

Ristretto / 2 x Ristretto.

Espresso / 2 x Espresso.

Doppio.

Coffee / 2 x Coffee.

Coffee large / 2 x Coffee large.

Coffee very large.

Americano / 2 x Americano.

Cold Brew.

Slow Brew.

Coffee pot.

Hot water / 2 x Hot water.

Espresso Macchiato / 2 x Espresso Macchiato.

Flat White / 2 x Flat White.

Cappuccino / 2 x Cappuccino.

Caffe Latte / 2 x Caffe Latte.

Cold Brew Macchiato.

Latte Macchiato / 2 x Latte Macchiato.

Warm milk / 2 x Warm milk.

Milk froth / 2 x Milk froth.

Handling

Full touch display with control ring.

Classic mode for easy beverage preparation with reduced settings for strength, quantity, aroma and milk ratio. The intelligent strength adjustment ensures that each beverage size is always prepared with the desired intensity.

Barista mode for detailed and precise beverage preparation. All relevant brewing parameters such as water and coffee quantity, grinding level, contact time, brewing temperature and milk ratio can be customised according to personal preferences.

Roast level selection: depending on the roast, the optimum, specific settings for the beans used are displayed in barista mode.

Personalisation function for creating up to 10 profiles, each with 10 individualised beverages as favourites.

42 display languages available.

User detection, adjustable distance.

Info texts for additional information.

Animated quick guides to assist appliance operation.

One-touch operation

Easy access to water tank, milk and coffee bean container behind the door.

Features

Fresh water connection to refill the water tank with fresh water.

Continuous flow heater means no waiting time and constant brewing temperature

Maintenance-free grinding unit with ceramic discs.

Electronic adjustment of grinding level for easy and precise control of the grinding parameters.

Double grinding and brewing cycles for double cup or for extra strong single beverages.

Height-adjustable coffee dispenser 7 cm to 15 cm.

Dispenser with integrated milk system.

Glass milk container for up to 0.7 litres.

Removable bean container for 400 g with aroma protecting lid.

Removable 2.4 litre water tank.

Water pump with 19 bar pressure.

Electronic replacement indicator for cleaning and descaling cartridges and water filter for timely reordering.

Electronic fill level control for drip tray and container for coffee dregs.

Integrated, soft lighting for perfect presentation of every single beverage.

Hint: for energy-saving, the appliance switches to standby mode automatically after about 30 minutes. This timespan can be changed in the basic settings.

Selected digital services (Gaggenau Home Connect)

Coffee World: extended choice of coffee specialties from all over the world.

Remote control and monitoring.

Playlist function.

Safety

Child lock to prevent accidental switch on or operation of the appliance.

To protect against water damage throughout the lifetime of the appliance, the tap water connection is equipped with the aqua stop safety system.

Cleaning

Fully automatic cleaning and descaling with cartridges. Switching to manual cleaning and descaling with tablets possible.

Automatic steam cleaning of the milk system after every beverage.

Holiday mode to prepare the appliance for longer periods of non-use or transportation.

Empty-grinding function to remove coffee residues from the system when switching bean types.

Removable brewing unit.

Coffee dregs container and drip tray dishwasher-safe.

Milk frother dishwasher-safe.

Dishwasher-safe milk container.

Planning notes

Plan the niche without back wall.

Door hinge not reversible.

Left-hinged

Protrusion from appliance front to furniture cabinet 21 mm.

When planning a corner solution, pay attention to the side-opening door and the minimum required distance to the wall.

Door opening angle appr. 110° (delivery status)
- mounting distance to the wall has to be at least 350 mm.

Door opening angle appr. 92° - mounting distance to the wall has to be at least 100 mm (spare part No. 10020041).

Installation directly above warming drawer possible.

Due to the higher appliance housing (449 mm), every combination with GC needs to be planned cautiously.

For optimum gap dimensions, the full-surface intermediate shelf GA 601 010 is recommended for a vertical combination with other appliances.

Installation above a combi microwave oven is only possible with a standard furniture shelf. The use of the intermediate shelf GA 601 010 is not permitted in this case.

The water connection for the inlet hose must always be accessible and not located directly behind the appliance.

Special accessories (order as spare parts):

Part No. 17000705 Water filter

Part No. 17000706 Water filter, set of 3

Part No. region-specific Descaling tablets

Part No. region-specific Cleaning tablets

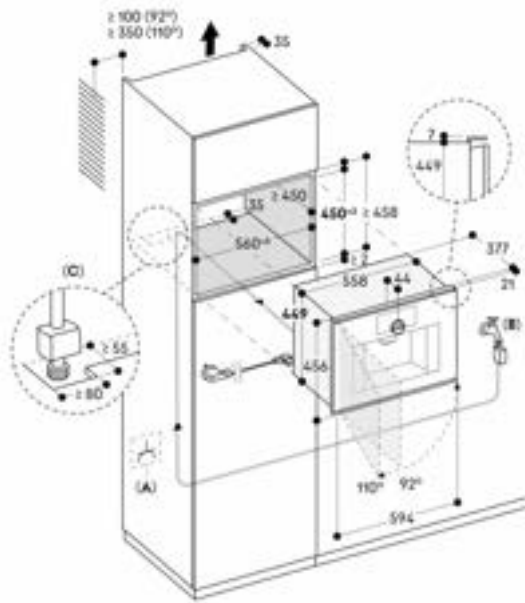
Part No. 10020041 Door hinge restrictor (92° opening angle)

Connection

Total connected load Total connected load 1.5 KW.

Connection cable 1.75 m, pluggable.

Inlet hose 170 cm with 3/4" (26.4 mm) connection, extendable.



- A: Accessible electrical connection
- B: Accessible water connection
- C: Additional cut-out to pass Aquastop

Measurements in mm