



CI261115

#### Optional accessories

CA051301:

Teppan Yaki

CA052300:

Griddle Plate

CA050300:

Flex pan set, 3 pcs.

CA055300:

Flex pan large

#### installation accessories

### Flex induction cooktop 200 series

60 cm

CI261115

Sturdy stainless steel frame  
Flex function for combining the rectangular cooking areas  
Flexible positioning of cookware inside combined cooking areas  
Sensor control with direct selection of output level  
Easy control of all functions with two color displays

#### Cooking zones

2 flex induction cooking areas 22.5x19 cm (2200 W, with booster 3700 W), linked together 22.5x38 cm (3300 W, with booster 3700 W).

1 induction cooking zone ø 21 cm (2500 W, with booster 3700 W).

1 induction cooking zone ø 15 cm (1600 W, with booster 2200 W).

#### Handling

Sensor control with direct selection of output level.  
User friendly control with two color display (white / orange).  
Cooking zone, and cooking area marking.  
Electronic power control in 17 output levels.

#### Features

Flex function for rectangular cooking areas.  
Booster function for pots.  
Booster function for pans.  
Keep warm function.  
Cooking timer for up to 99 minutes.  
Short-term timer.  
Options menu.  
Power management.  
Personalisation function via Home Connect.

#### Selected digital services (Gaggenau Home Connect)

Cooktop-based ventilation control (with suitable hood).  
Remote monitoring.  
Remote diagnostics.  
Integrated WiFi module for digital services (Home Connect).  
The availability of the Home Connect functionality depends on the availability of the Home Connect Services in your country. Home Connect Services are not available in every country – for further information please check: [www.home-connect.com](http://www.home-connect.com)

#### Safety

Main switch.  
Operation indicator.  
Pot detection.  
2 stage Hh residual heat indicator for each zone  
Child lock.  
Safety shut-off.  
Pause function.

#### Planning notes

Installation is possible in worktops made of stone, synthetics or solid wood. Heat resistance and watertight sealing of the cut edges must be observed. Concerning other materials please consult the worktop manufacturer.

Operates with magnetic (induction) iron pots and pans only. For an optimal heat distribution, the use of sandwich bottom cookware is recommended.

Special accessories (order as spare parts):

Part No. 17006018 Frying sensor pan, ø 20 cm  
The wok pan WP 400 001 cannot be used with this appliance.

Appliance must be fixed from underneath.

Appliance weight: approx. 13.

#### Connection

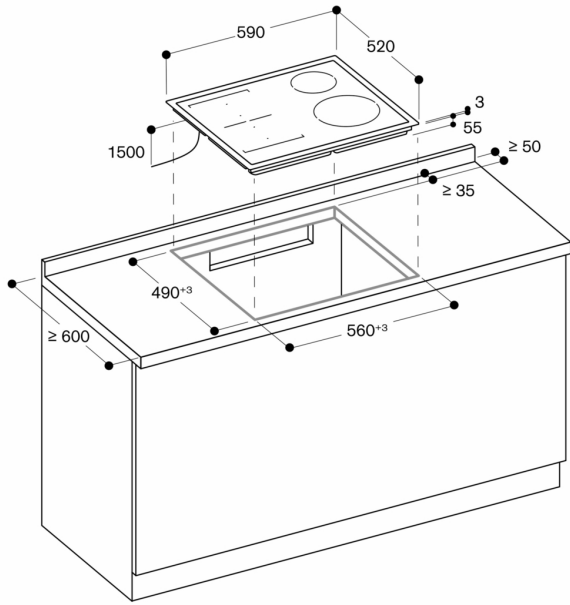
Total connected load 7.4 KW.

Connecting cable 1.10 m without plug.

Power consumption standby/display off 0.5 W.

Power consumption standby/network 2 W.

Please check the user manual for how to switch off the WiFi module.



Measurements in mm