



<b>AC250121</b>
<b>Ceiling ventilation 200 series</b>
<b>Width 120 cm</b>
<b>Air extraction/recirculation</b>

Discreet integration into the architecture of the kitchen  
 Energy-saving, low-noise fan  
 Rim extraction  
 Function for automatic, sensor-controlled power adjustment depending on the build-up of cooking vapours  
 Easy and time saving installation directly on the ceiling  
 Air extraction/recirculation

#### Output

#### Features

Three electronically controlled power levels and an intensive mode. Remote control is included in delivery. Automatic function with sensor-controlled run-on function. Interval ventilation, 6 min. Grease filter saturation indicator. Activated charcoal filter saturation indicator. Metal grease filter, dishwasher-safe. Fan technology with highly efficient, brushless DC motor. Turnable blower, air outlet on all four sides possible. Connection piece DN 150 cylindrical. Cooktop-based ventilation control (with suitable cooktop). Integrated WiFi module for digital services (Home Connect). The availability of the Home Connect functionality depends on the availability of the Home Connect Services in your country. Home Connect Services are not available in every country – for further information please check: [www.home-connect.com](http://www.home-connect.com)

#### Product rating

Energy efficiency class A+ at a range of energy efficiency classes from A++ to E. Energy consumption 35.2 kWh/year. Ventilation efficiency class A. Illumination efficiency class NO\_FEATURE. Grease filter efficiency class E. Sound level min. 41 dB / max. 56 dB normal mode.

#### Planning notes

For installation in suspended ceiling. The ceiling ventilation has to be handled as a room ventilation when distance to cooktop is larger than 120 cm since the direct capture of vapours will be limited. The needed airflow is given by an air exchange rate of 10 to 12 times the room volume. A suitable load-bearing substructure is required for securing the extractor hood. Never fit the appliance directly onto plasterboard or similar lightweight construction materials. Recommended minimum gap between appliance and external filter module: 100 cm. For air recirculation an external filter module is required. Clearance above gas appliances min. 65 cm (more than total load gas 12 kW min. 70 cm). Clearance above electric appliances min. 65 cm.

<b>Characteristics</b>
<b>Product name/family</b>
<b>Color chimney</b>
<b>Typology</b>
<b>Approval certificates</b> CE, Eurasian, G-Mark, Ukraine, VDE
<b>Length of electrical supply cord (cm)</b> 130
<b>Required niche size for installation (HxWxD)</b> 299mm x 1188.0mm x 487mm
<b>Height of the chimney (mm)</b>
<b>Height of product, without chimney (mm)</b>
<b>Minimum distance above an electric hob</b> 650
<b>Minimum distance above a gas hob</b> 650
<b>Net weight (kg)</b> 25.704
<b>Type of control</b> Electronic
<b>Number of speed settings</b>
<b>Maximum output air extraction (m3/h)</b> 459
<b>Boost position output recirculating (m3/h)</b> 637.0
<b>Maximum output recirculating air (m3/h)</b>
<b>Boost position air extraction (m³/h)</b> 933
<b>Number of lights (Stck)</b> 0
<b>Noise level (dB(A) re 1 pW)</b> 56
<b>Diameter of air outlet (mm)</b> 150
<b>Grease filter material</b> Washable stainless steel
<b>EAN code</b> 4242006280901

#### Consumption and connection features

<b>Connection rating (W)</b> 250
<b>Current (A)</b>
<b>Voltage (V)</b> 220-240
<b>Frequency (Hz)</b> 60; 50
<b>Plug type</b> Gardy plug w/ earthing
<b>Installation type</b> Island

created on 2020-02-19  
 Page 1

Please ensure when installing the exhaust air ducting that no sharp bends are caused and that the cross-section of the ducting is not constricted in any way.

When installing a ventilation hood with air extraction mode and a chimney-vented fireplace, the hood's power supply line needs to feature a suitable safety switch.

Appliance weight: approx. 30 kg.

#### Connection

Total connected load 250 W. Connecting cable 1.3 m with plug. Power consumption standby/display off 0.5 W.

Power consumption standby/network NO\_FEATURE.

Please check the user manual for how to switch off the WiFi module.

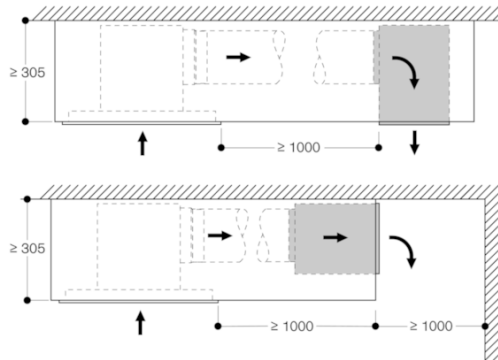
#### Color Variants

AC250121  
 Width 120 cm

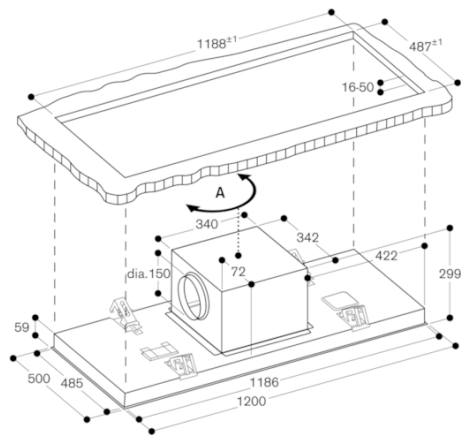
#### Optional accessories

AA010811  
 Air recirculation module inclusive 1 activated charcoal filter  
 AA012811  
 Air recirculation module inclusive 1 activated charcoal filter  
 AA200112

AC 250 with air recirculation module



measurements in mm



A: The ventilator outlet can be turned in all four directions.  
measurements in mm