



Color Variants

VR230120
Black control panel
Width 28 cm

Included accessories

1 x grease drip tray.
1 x cast iron grill.
1 x lava stones.
1 x cleaning brush.

Optional accessories

LV030000
Lava stones for refilling
VD200020

Installation Accessories

VV200010
Stainless steel connection strip
for combination with further Vario
cooktops
VV200020

VR230120
Vario electric grill 200 series
Black control panel
Width 28 cm

Can be combined with the cooktops
of the Vario 200 series to a harmonic
unity.

Control panel for comfortable and
secure operation
2 zones, separately controlled
Open cast grill, lava stones

Handling

Control knobs with illuminated ring.
Integrated control panel.
9 switching levels.

Features

2 separately controllable swing-out
grilling elements (1500 W).
Join function.
Cast grill.
Stainless steel lavastone container and
grease collecting insert, dishwasher-
safe.

Safety

Pre-heat and residual heat indicator.
Operation indicator.
Safety shut-off.

Planning notes

Appliance can be snapped into the
worktop from above.
A minimum clearance of at least 200
mm from adjacent heat-sensitive
furniture or contact surfaces must be
observed or thermal insulation fitted.
Appliance weight: approx. 17 kg.

Connection

Total connected load 3.0 kW.
Connecting cable 1.8 m without plug.

Characteristics

Product name/family
Vario/Domino barbecue grill

Construction type
Built-in

Energy input
Electric

Type of control
mechanical

Grill grating material
Cast iron

**Required niche size for installation
(HxWxD)**

125 x 268 x 492

Width of the product (mm)

288

Dimensions of the product (mm)

125 x 288 x 512

**Dimensions of the packed product
(HxWxD) (mm)**

260 x 600 x 410

Net weight (kg)

16.818

Gross weight (kg)

18.0

Residual heat indicator

Separate

Location of control panel

Hob front

Basic surface material

Cast iron

Color of surface

Stainless steel, Stainless steel

Color of frame

Stainless steel

Approval certificates

CE

Length of electrical supply cord (cm)

180

EAN code

4242006279769

Consumption and connection features

Electrical connection rating (W)

3000

Gas connection rating (W)

Current (A)

16

Voltage (V)

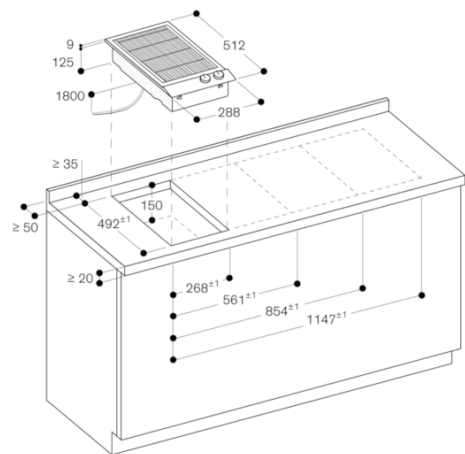
220-240

Frequency (Hz)

50; 60

created on 2020-03-23

Page 1



measurements in mm