



#### Color Variants

VL414112  
stainless steel  
Width 15.5 cm

#### Optional accessories

AA400510  
Window contact switch  
AA414010  
Ventilation moulding for VL 414 next to gas appliance.

#### Installation Accessories

AD410040  
Flexible connecting piece for VL 200 / VL 414  
DN 150 flat  
AD851041  
Connecting piece VL 200 / VL 414 for extension with flat duct DN 150 for extra deep worktop  
VA420004  
Connection strip for combination with other Vario appliances of the 400 series for flush installation  
VA420010  
Connection strip for combination with other Vario appliances of the 400 series for surface installation

#### VL414112

Vario downdraft ventilation 400 series  
stainless steel  
Width 15.5 cm  
Air extraction/recirculation  
Motorless

A+

Can be combined perfectly flush with other Vario appliances of the 400 series  
Precision crafting of 3 mm stainless steel  
Solid stainless steel control knob  
Highly efficient, low noise ventilation system especially with remote fan unit AR 410 110  
Function for automatic, sensor-controlled power adjustment depending on the build-up of cooking vapours  
Low planning and installation effort

#### Output

Power levels depend on the remote fan unit.

#### Features

Control knob with illuminated ring included in delivery.  
Three electronically controlled power levels and an intensive mode.  
Automatic sensor-controlled performance adjustment of the ventilation system.  
Automatic sensor-controlled or manual run-on function.  
Large-scale metal grease filter with high grease absorption.  
Removable, dishwasher-safe grease filter unit.  
Grease filter and activated charcoal filter saturation indicator.  
Airflow-optimised interior for efficient air circulation.  
Interval ventilation, 6 min.  
Enamelled ventilation grille, dishwasher-safe.  
Air exhaust bend included in delivery.  
Overflow 250 ml capacity.  
Cooktop-based ventilation control (with suitable cooktop).  
Home network integration for digital services (Home Connect) either via cable connection LAN (recommended) or wireless via WiFi.  
The availability of the Home Connect functionality depends on the availability of the Home Connect Services in your country. Home Connect Services are not available in every country – for further information please check: [www.home-connect.com](http://www.home-connect.com)

#### Product rating

Consumption data is referred to a configuration with the remote fan unit AR 403 122.  
Energy efficiency class A+ at a range of energy efficiency classes from A+++ to D.  
Energy consumption 40.4 kWh/year.  
Ventilation efficiency class A.  
Illumination efficiency class -.  
Grease filter efficiency class B.  
Sound level min. 57 dB / max. 71 dB normal mode.

#### Planning notes

For each VL one remote fan unit is recommended.  
Maximum cooktop(s) width between two VL : 80 cm except with the CX 482.  
Vario cooktops like Vario electric grill and Vario gas wok should be placed between 2 VL.  
For optimum performance in air recirculation we recommend an outflow surface area of at least 400 cm<sup>2</sup>.

#### Characteristics

Product name/family  
Color chimney  
Typology  
Downdraft  
Approval certificates  
Australia Standards, CE, Eurasian, G-Mark, Ukraine, VDE  
Length of electrical supply cord  
175  
Required niche size for installation (HxWxD)  
Height of the chimney  
Height of product, without chimney  
Minimum distance above an electric hob  
Minimum distance above a gas hob  
Net weight  
7.5  
Type of control  
Electronic  
Number of speed settings  
Maximum output air extraction  
550  
Boost position output recirculating  
Maximum output recirculating air  
Boost position air extraction  
Number of lights (Stck)  
Noise level  
71  
Diameter of air outlet  
150  
Grease filter material  
EAN code  
4242006286019  
Connection rating  
10  
Fuse protection  
Voltage  
220-240  
Frequency  
50; 60  
Plug type  
Installation type  
Built-in

#### Consumption and connection features

created on 2022-06-15  
Page 1

If operated next to gas appliances, the air baffle AA 414 010 is recommended to ensure maximum performance of the cooktop.

Appliance can be snapped into the worktop from above.

Depending on the type of installation (surface-mounted or flush-mounted), the specific location of the cut-out and the knob positions may vary.

If combining several Vario appliances of the 400 series, a connection strip VA 420 must be placed between the appliances. Depending on the type of installation, the corresponding connection strip must be provided. The bearing capacity and stability, in the case of thin worktops in particular, must be supported using suitable substructures. Take into account the appliance weight and additional loads. Additional instructions for flush installation:

Installation is possible in worktops made of stone, synthetics or solid wood. Heat resistance and watertight sealing of the cut edges must be observed. Concerning other materials please consult the worktop manufacturer.

The groove must be continuous and even, so that uniform placing of the appliance on the gasket is ensured. Do not use discontinuous lining.

The joint width may vary due to size tolerances of the combinations and of the worktop cut-out.

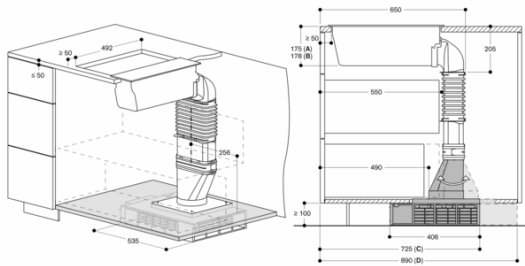
When installing a ventilation hood with air extraction mode and a chimney-vented fireplace, the hood's power supply line needs to feature a suitable safety switch.

Please read additional planning notes on page xx.

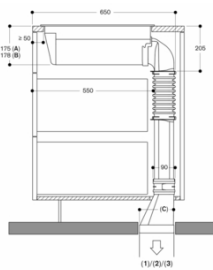
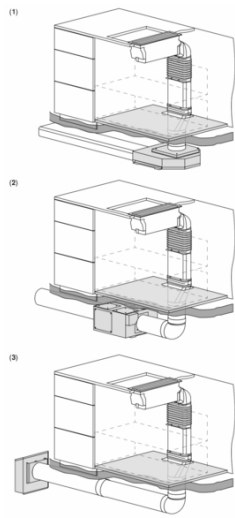
#### Connection

Total connected load 10 W.  
Connecting cable 1.8 m with plug.  
Plan a LAN cable.  
Power consumption standby/display off 0.2 W.  
Please check the user manual for how to switch off the WiFi module.

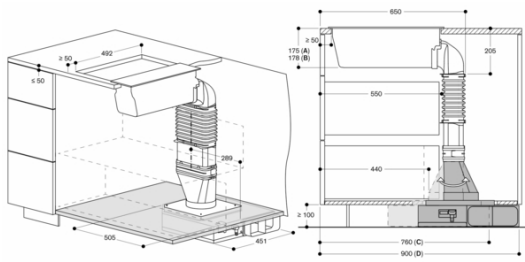
**VL414112**  
**Vario downdraft ventilation 400 series**  
**stainless steel**  
**Width 15.5 cm**  
**Air extraction/recirculation**  
**Motorless**  
**created on 2022-06-15**  
**Page 2**



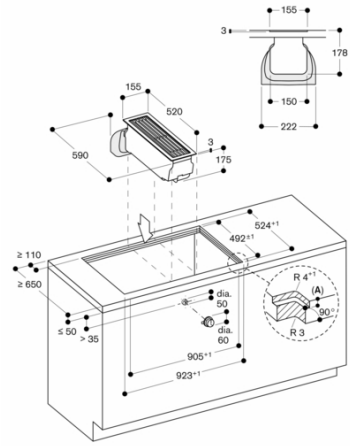
A: Surface mounting  
 B: Flush mounting (only VL414)  
 C: Filter access from the front. Connecting piece flat/round towards the front  
 D: Filter access from the back. Connecting piece flat/round towards the back  
 measurements in mm



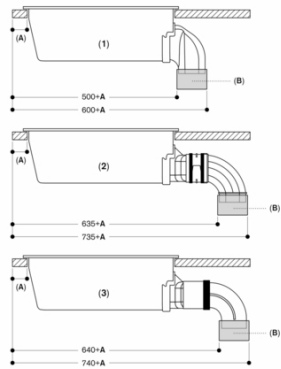
Extraction mode with remote fan unit  
 1: AD 403  
 2: AD 400  
 3: AD 401  
 A: Surface mounting  
 B: Flush mounting  
 C: 15.5  
 measurements in mm



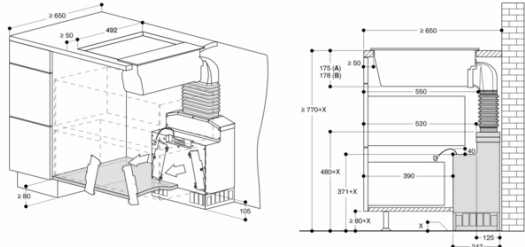
A: Surface mounting  
 B: Flush mounting (only VL414)  
 C: Exhaust to the left. Flat/round connecting piece towards the front  
 D: Exhaust to the right. Flat/round connecting piece towards the back  
 measurements in mm



A: 3.5"±  
 6.5"± in combinations with frameless induction hobs  
 measurements in mm

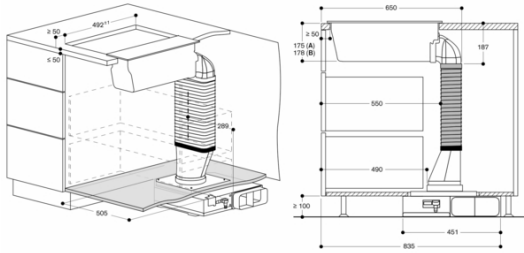


1: Direct installation  
 2: Installation with extension for extra deep worktop and plastic ducting:  
 - AD B51 041 (connecting piece for extension)  
 - AD B57 040 (flat duct connecting piece, plastic)  
 - AD B57 030 (flat duct bend, 90°, vertical, plastic)  
 3: Installation with extension for extra deep worktop and metal ducting:  
 - AD B51 041 (connecting piece for extension)  
 - AD B54 000 (flat duct connecting piece, metal)  
 - AD B54 030 (flat duct bend, 90°, vertical, metal)  
 A: ≥ 50mm  
 B: Connecting piece  
 measurements in mm

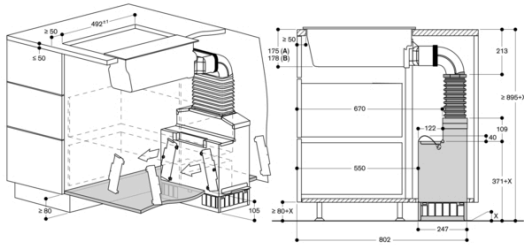


A: Surface mounting  
 B: Flush mounting (only VL414)  
 measurements in mm

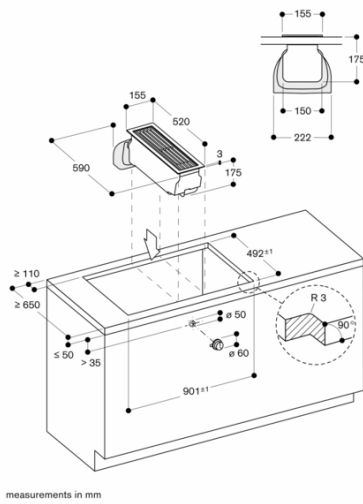
VL414112  
 Vario downdraft ventilation 400 series  
 stainless steel  
 Width 15.5 cm  
 Air extraction/recirculation  
 Motorless  
 created on 2022-06-15  
 Page 3



A: Surface mounting  
 B: Flush mounting (only VL414)  
 measurements in mm

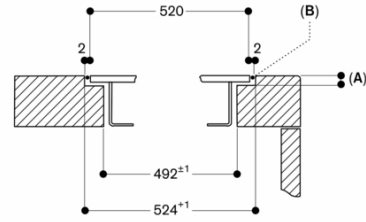


A: Surface mounting  
 B: Flush mounting (only VL414)  
 measurements in mm



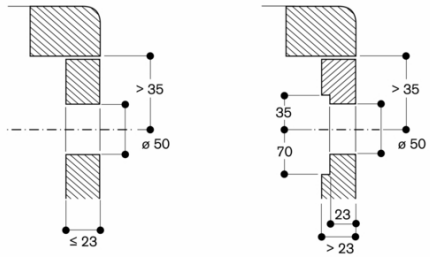
measurements in mm

Cross-section



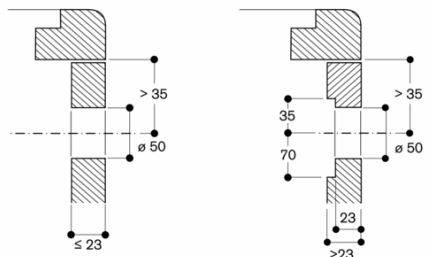
A: 3.5<sup>0.5</sup>  
 B: Fill with silicone  
 measurements in mm

Installation of the control knob; surface mounting



measurements in mm

Installation of the control knob; flush installation



measurements in mm