



**VI492113**  
**Vario flex induction cooktop 400 series**  
**Stainless steel frame**  
**Width 90 cm**

Flex function for combining the rectangular cooking areas  
Free positioning of cookware inside combined cooking areas  
Frying sensor function for temperature control in pans  
Large cooking zone for pots up to ø 32 cm  
Ideal for the original wok pan with round bottom, with wok ring  
Easy control of all functions with two color displays  
Solid stainless steel control knob  
Precision crafting of 3 mm stainless steel  
For surface installation with a visible edge or for flush installation  
Can be combined perfectly with other Vario appliances of the 400 series

**Cooking zones**  
2 flex induction cooking areas 19x23 cm (2200 W, with booster 3700 W), linked together 38x23 cm (3300 W, with booster 3700 W).  
1 induction cooking zone ø 21 cm (2200 W, with booster 3700 W), automatically switches to ø 26 cm (2600 W, with booster 3700 W) and to ø 32 cm (3300 W, with booster 3700 W).

**Handling**  
Control knobs with illuminated ring, cooking zone and output level markings.  
Electronic power control in 12 pakāpes (1...12).  
User friendly control with two color display (white / orange).

**Features**  
Flex function for rectangular cooking areas.  
Frying sensor function.  
Booster function.  
Stopwatch.  
Short-term timer.  
Options menu.  
Cooktop-based ventilation control (with suitable hood).  
Integrated WiFi module for digital services (Home Connect).  
The availability of the Home Connect functionality depends on the availability of the Home Connect Services in your country. Home Connect Services are not available in every country – for further information please check: [www.home-connect.com](http://www.home-connect.com)

**Safety**  
Safety shut-off.

**Planning notes**  
Depending on the type of installation (surface-mounted or flush-mounted), the specific location of the cut-out and the knob positions may vary.  
The horizontal positioning of the knobs may be aligned with the specific cooking areas and zones.  
The drawing "Installation of the control knob" must be observed if the panel is more than 23 mm thick (there must be a recess at the rear).  
If combining several Vario appliances of the 400 series, a connection strip VA 420 must be placed between the appliances. Depending on the type of installation, the corresponding connection strip must be provided.

**Characteristics**  
**Product name/family**  
Cooking zone ceramic  
**Construction type**  
Built-in  
**Energy input**  
Electric  
**Total number of positions that can be used at the same time**  
5  
**Type of control setting devices**  
**Required niche size for installation (HxWxD)**  
57 x 886-888 x 491-493  
**Width of the product (mm)**  
908  
**Dimensions of the product (mm)**  
57 x 908 x 520  
**Dimensions of the packed product (HxWxD) (mm)**  
125 x 1196 x 606  
**Net weight (kg)**  
24.491  
**Gross weight (kg)**  
26.5  
**Residual heat indicator**  
Separate  
**Location of control panel**  
External control  
**Type of external control possibility**  
**Basic surface material**  
Ceramic  
**Color of surface**  
Black, Stainless steel  
**Color of frame**  
Stainless steel  
**Approval certificates**  
AENOR, CE  
**Length of electrical supply cord (cm)**  
150  
**EAN code**  
4242006285036

**Consumption and connection features**  
**Electrical connection rating (W)**  
11100  
**Gas connection rating (W)**  
**Current (A)**  
3\*16  
**Voltage (V)**  
220-240  
**Frequency (Hz)**  
50; 60  
**created on 2020-04-20**  
Page 1

The bearing capacity and stability, in the case of thin worktops in particular, must be supported using suitable substructures. Take into account the appliance weight and additional loads.  
Additional instructions for flush installation:  
Installation is possible in worktops made of stone, synthetics or solid wood. Heat resistance and watertight sealing of the cut edges must be observed. Concerning other materials please consult the worktop manufacturer.  
The groove must be continuous and even, so that uniform placing of the appliance on the gasket is ensured. Do not use discontinuous lining.  
The joint width may vary due to size tolerances of the combinations and of the worktop cut-out.  
If installing several appliances in individual cut-outs allow for a division bar of minimum 50 mm between the individual cut-outs.  
Operates with magnetic (induction) iron pots and pans only. For an optimal heat distribution, the use of sandwich bottom cookware is recommended.  
Appliance can be snapped into the worktop from above.  
Appliance weight: approx. 24.

**Connection**  
Total connected load 11.1 KW.  
Connecting cable 1.5 m without plug.  
Power consumption standby/display off 0.5 W.  
Power consumption standby/network 1.9 W.  
Please check the user manual for how to switch off the WiFi module.

#### Color Variants

VI492113  
Stainless steel frame  
Width 90 cm

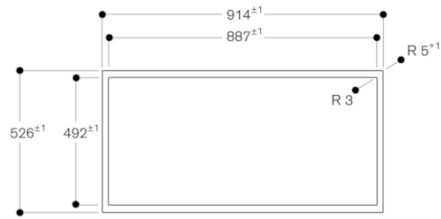
#### Optional accessories

GP900001  
Stainless steel frying sensor pan  
GP900002  
Stainless steel frying sensor pan  
GP900003  
Stainless steel frying sensor pan  
GP900004  
Stainless steel frying sensor pan  
WP400001  
Wok pan made of multiple-layer material  
WZ400001  
Wok attachment for wok pan

#### Installation Accessories

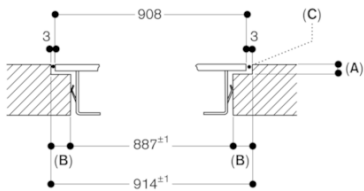
VA420000  
Connection strip for combination with other Vario appliances of the 400 series for flush installation  
VA420010  
Connection strip for combination with other Vario appliances of the 400 series for surface installation

View from above



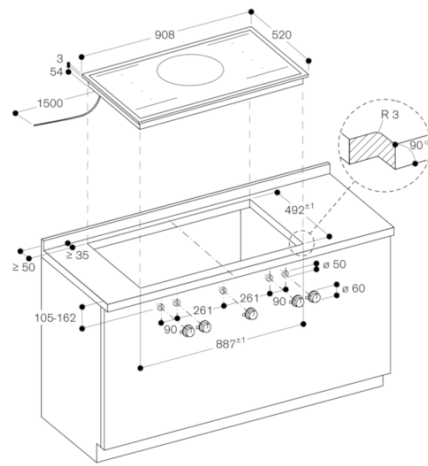
measurements in mm

Longitudinal section



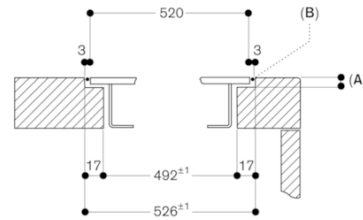
- A: 3.5<sup>0.5</sup>
- B: 13.5
- C: Fill with silicone

measurements in mm



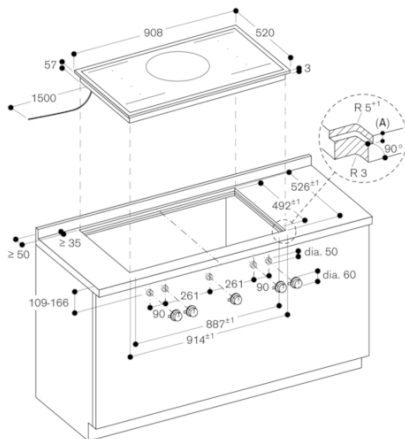
measurements in mm

Cross-section



- A: 3.5<sup>0.5</sup>
- B: Fill with silicone

measurements in mm



A: 3.5<sup>0.5</sup>  
 measurements in mm