



VI492103
Flex induction cooktop 400 series
Frameless
Width 90 cm

Flex function for combining the rectangular cooking areas
Free positioning of cookware inside combined cooking areas
Frying sensor function for temperature control in pans
Large cooking zone for pots up to ø 32 cm
Ideal for the original wok pan with round bottom, with wok ring
Easy control of all functions with two color displays
Solid stainless steel control knob
Frameless for flush installation

Color Variants

VI492103
Frameless
Width 90 cm

Optional accessories

GP900001
Stainless steel frying sensor pan
GP900002
Stainless steel frying sensor pan
GP900003
Stainless steel frying sensor pan
GP900004
Stainless steel frying sensor pan
WP400001
Wok pan made of multiple-layer material
WZ400001
Wok attachment for wok pan

Cooking zones

2 flex induction cooking areas 20x23 cm (2200 W, with booster 3700 W), linked together 40x23 cm (3300 W, with booster 3700 W).

1 induction cooking zone ø 21 cm (2200 W, with booster 3700 W), automatically switches to ø 26 cm (2600 W, with booster 3700 W) and to ø 32 cm (3300 W, with booster 3700 W).

Handling

Control knobs with illuminated ring, cooking zone and output level markings.

Electronic power control in 12. User friendly control with two color display (white / orange).

Features

Flex function for rectangular cooking areas.
Frying sensor function.
Booster function.
Stopwatch.
Short-term timer.
Options menu.
Power management.
Cooktop-based ventilation control (with suitable hood).
Integrated WiFi module for digital services (Home Connect).
The availability of the Home Connect functionality depends on the availability of the Home Connect Services in your country. Home Connect Services are not available in every country – for further information please check: www.home-connect.com

Safety

Operation indicator.
Pot detection.
2 stage Hh residual heat indicator for each zone
Safety shut-off.

Planning notes

The horizontal positioning of the knobs may be aligned with the specific cooking areas.
The drawing "Installation of the control knob" must be observed if the panel is more than 23 mm thick (there must be a recess at the rear).
The bearing capacity and stability, in the case of thin worktops in particular, must be supported using suitable substructures. Take into account the appliance weight and additional loads. Installation is possible in worktops made of stone, synthetics or solid wood. Heat resistance and watertight sealing of the cut edges must be observed. Concerning other materials please consult the worktop manufacturer.

Characteristics

Product name/family
Cooking zone ceramic

Construction type
Built-in

Energy input
Electric

Total number of positions that can be used at the same time
5

Type of control setting devices

Required niche size for installation (HxWxD)
57 x 886-888 x 491-493

Width of the product (mm)
909

Dimensions of the product (mm)
57 x 909 x 521

Dimensions of the packed product (HxWxD) (mm)
125 x 1196 x 606

Net weight (kg)
23.486

Gross weight (kg)
25.5

Residual heat indicator
Separate

Location of control panel
External control

Type of external control possibility

Basic surface material
Ceramic

Color of surface
Black

Color of frame

Approval certificates
AENOR, CE

Length of electrical supply cord (cm)
150

EAN code
4242006290061

Consumption and connection features

Electrical connection rating (W)
11100

Gas connection rating (W)

Current (A)
3*16

Voltage (V)
220-240

Frequency (Hz)
50; 60

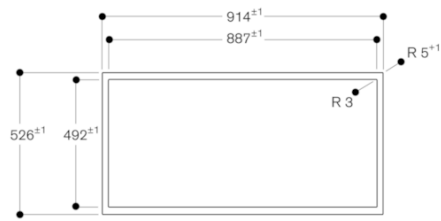
created on 2020-04-12
Page 1

The groove must be continuous and even, so that uniform placing of the appliance on the gasket is ensured. Do not use discontinuous lining.
The joint width may vary due to size tolerances of the combinations and of the worktop cut-out.
If installing several appliances in individual cut-outs allow for a division bar of minimum 50 mm between the individual cut-outs.
Operates with magnetic (induction) iron pots and pans only. For an optimal heat distribution, the use of sandwich bottom cookware is recommended.
Appliance can be snapped into the worktop from above.
Appliance weight: approx. 23.

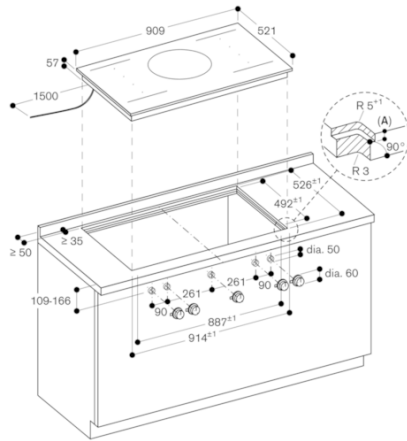
Connection

Total connected load 11.1 KW.
Connecting cable 1.5 m without plug.
Power consumption standby/display off 0.5 W.
Power consumption standby/network 1.9 W.
Please check the user manual for how to switch off the WiFi module.

View from above

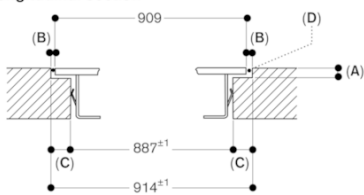


measurements in mm



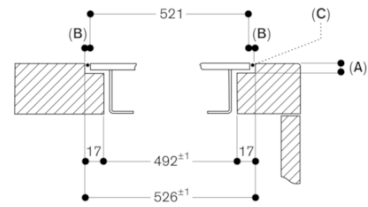
A: 6.5^{0.5}
 measurements in mm

Longitudinal section



A: 6.5^{0.5}
 B: 2.5
 C: 13.5
 D: Fill with silicone
 measurements in mm

Cross-section



A: 6.5^{0.5}
 B: 2.5
 C: Fill with silicone
 measurements in mm