



VI482113
Vario flex induction cooktop 400 series
Stainless steel frame
Width 80 cm

Flex function for combining the rectangular cooking areas
Free positioning of cookware inside combined cooking areas with automatic extension up to 32 cm width
Frying sensor function for temperature control in pans
Easy control of all functions with two color displays
Solid stainless steel control knob
Precision crafting of 3 mm stainless steel
For surface installation with a visible edge or for flush installation
Can be combined perfectly with other Vario appliances of the 400 series

Cooking zones

2 flex induction cooking areas with each 19x23 cm (2200 W, with booster 3700 W), linked together 38x23 cm (3300 W, with booster 3700 W), with automatic extension up to 30x32 cm (3300 W, with booster 3700 W).

Handling

Control knobs with illuminated ring, cooking zone and output level markings.
Electronic power control in 12 pakāpes (1...12).
User friendly control with two color display (white / orange).

Features

Flex function for rectangular cooking areas.
Frying sensor function.
Booster function.
Stopwatch.
Short-term timer.
Options menu.
Cooktop-based ventilation control (with suitable hood).
Integrated WiFi module for digital services (Home Connect).
The availability of the Home Connect functionality depends on the availability of the Home Connect Services in your country. Home Connect Services are not available in every country – for further information please check: www.home-connect.com

Safety

Safety shut-off.

Planning notes

Depending on the type of installation (surface-mounted or flush-mounted), the specific location of the cut-out and the knob positions may vary.
The horizontal positioning of the knobs may be aligned with the specific cooking areas.
The drawing "Installation of the control knob" must be observed if the panel is more than 23 mm thick (there must be a recess at the rear).
If combining several Vario appliances of the 400 series, a connection strip VA 420 must be placed between the appliances. Depending on the type of installation, the corresponding connection strip must be provided.
The bearing capacity and stability, in the case of thin worktops in particular, must be supported using suitable substructures. Take into account the appliance weight and additional loads.
Additional instructions for flush installation:

Characteristics

Product name/family
Cooking zone ceramic

Construction type
Built-in

Energy input
Electric

Total number of positions that can be used at the same time
4

Type of control setting devices
Required niche size for installation (HxWxD)
57 x 783-785 x 491-493

Width of the product (mm)
804

Dimensions of the product (mm)
57 x 804 x 520

Dimensions of the packed product (HxWxD) (mm)
130 x 1070 x 610

Net weight (kg)
19.928

Gross weight (kg)
21.8

Residual heat indicator
Separate

Location of control panel
External control

Type of external control possibility
Basic surface material
Ceramic

Color of surface
Black, Stainless steel

Color of frame
Stainless steel

Approval certificates
AENOR, CE

Length of electrical supply cord (cm)
150

EAN code
4242006285128

Consumption and connection features

Electrical connection rating (W)
7400

Gas connection rating (W)

Current (A)
2*16

Voltage (V)
220-240

Frequency (Hz)
50; 60

created on 2020-04-20
Page 1

Installation is possible in worktops made of stone, synthetics or solid wood. Heat resistance and watertight sealing of the cut edges must be observed. Concerning other materials please consult the worktop manufacturer.

The groove must be continuous and even, so that uniform placing of the appliance on the gasket is ensured. Do not use discontinuous lining.

The joint width may vary due to size tolerances of the combinations and of the worktop cut-out.

If installing several appliances in individual cut-outs allow for a division bar of minimum 50 mm between the individual cut-outs.

Operates with magnetic (induction) iron pots and pans only. For an optimal heat distribution, the use of sandwich bottom cookware is recommended.

The wok pan WP 400 001 cannot be used with this appliance.

Appliance can be snapped into the worktop from above.

Appliance weight: approx. 20.

Connection

Total connected load 7.4 KW.

Connecting cable 1.5 m without plug.
Power consumption standby/display off 0.4 W.

Power consumption standby/network 1.7 W.

Please check the user manual for how to switch off the WiFi module.

Color Variants

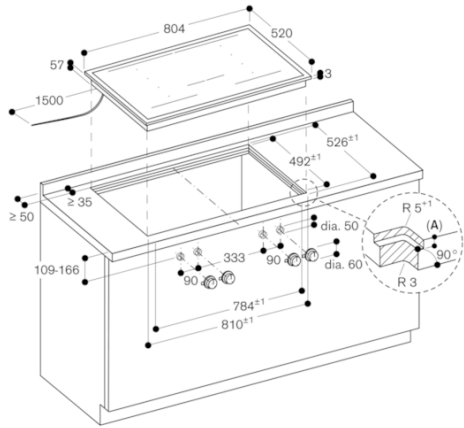
VI482113
Stainless steel frame
Width 80 cm

Optional accessories

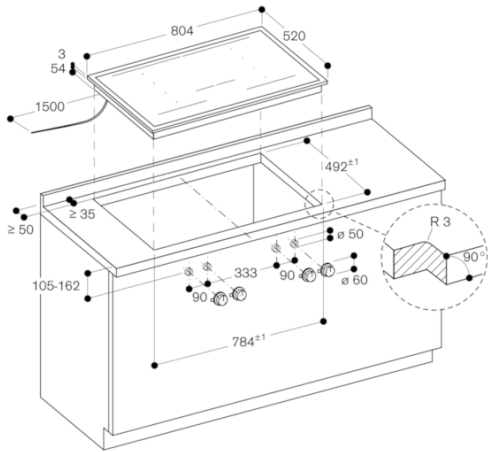
GP900001
Stainless steel frying sensor pan
GP900002
Stainless steel frying sensor pan
GP900003
Stainless steel frying sensor pan
GP900004
Stainless steel frying sensor pan

Installation Accessories

VA420000
Connection strip for combination with other Vario appliances of the 400 series for flush installation
VA420010
Connection strip for combination with other Vario appliances of the 400 series for surface installation

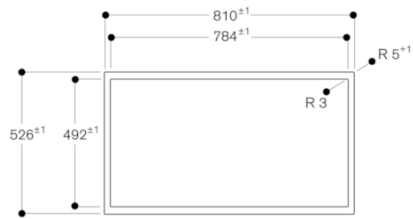


A: 3.5^{0.5}
 measurements in mm



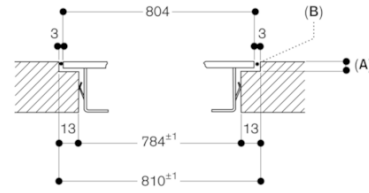
measurements in mm

View from above



measurements in mm

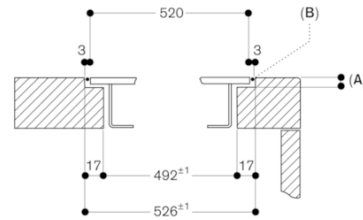
Longitudinal section



A: 3.5^{0.5}
 B: Fill with silicone

measurements in mm

Cross-section



A: 3.5^{0.5}
 B: Fill with silicone

measurements in mm