



**VI482103**  
**Flex induction cooktop 400 series**  
**Frameless**  
**Width 80 cm**

**Flex function for combining the rectangular cooking areas**  
**Free positioning of cookware inside combined cooking areas with automatic extension up to 30 cm width**  
**Frying sensor function for temperature control in pans**  
**Easy control of all functions with two color displays**  
**Solid stainless steel control knob**  
**Frameless for flush installation**

**Cooking zones**  
2 flex induction cooking areas 20x23 cm (2200 W, with booster 3700 W), linked together 40x23 cm (3300 W, with booster 3700 W), with automatic extension up to 30x32 cm (3300 W, with booster 3700 W).

**Handling**  
Control knobs with illuminated ring, cooking zone and output level markings.  
Electronic power control in 12.  
User friendly control with two color display (white / orange).

**Features**  
Flex function for rectangular cooking areas.  
Frying sensor function.  
Booster function.  
Stopwatch.  
Short-term timer.  
Options menu.  
Power management.  
Cooktop-based ventilation control (with suitable hood).  
Integrated WiFi module for digital services (Home Connect).  
The availability of the Home Connect functionality depends on the availability of the Home Connect Services in your country. Home Connect Services are not available in every country – for further information please check: [www.home-connect.com](http://www.home-connect.com)

**Safety**  
Operation indicator.  
Pot detection.  
2 stage Hh residual heat indicator for each zone  
Safety shut-off.

**Planning notes**  
The horizontal positioning of the knobs may be aligned with the specific cooking areas.  
The drawing "Installation of the control knob" must be observed if the panel is more than 23 mm thick (there must be a recess at the rear).  
The bearing capacity and stability, in the case of thin worktops in particular, must be supported using suitable substructures. Take into account the appliance weight and additional loads. Installation is possible in worktops made of stone, synthetics or solid wood. Heat resistance and watertight sealing of the cut edges must be observed. Concerning other materials please consult the worktop manufacturer.  
The groove must be continuous and even, so that uniform placing of the appliance on the gasket is ensured. Do not use discontinuous lining.  
The joint width may vary due to size tolerances of the combinations and of the worktop cut-out.

**Characteristics**  
**Product name/family**  
Cooking zone ceramic  
**Construction type**  
Built-in  
**Energy input**  
Electric  
**Total number of positions that can be used at the same time**  
4  
**Type of control setting devices**  
**Required niche size for installation (HxWxD)**  
57 x 783-785 x 491-493  
**Width of the product (mm)**  
805  
**Dimensions of the product (mm)**  
57 x 805 x 521  
**Dimensions of the packed product (HxWxD) (mm)**  
123 x 1078 x 610  
**Net weight (kg)**  
18.452  
**Gross weight (kg)**  
20.3  
**Residual heat indicator**  
Separate  
**Location of control panel**  
External control  
**Type of external control possibility**  
**Basic surface material**  
Ceramic  
**Color of surface**  
Black  
**Color of frame**  
**Approval certificates**  
AENOR, CE  
**Length of electrical supply cord (cm)**  
150  
**EAN code**  
4242006290054

**Consumption and connection features**  
**Electrical connection rating (W)**  
7400  
**Gas connection rating (W)**  
**Current (A)**  
2\* 16  
**Voltage (V)**  
220-240  
**Frequency (Hz)**  
50; 60

created on 2020-04-15  
Page 1

If installing several appliances in individual cut-outs allow for a division bar of minimum 50 mm between the individual cut-outs.  
Operates with magnetic (induction) iron pots and pans only. For an optimal heat distribution, the use of sandwich bottom cookware is recommended.  
The wok pan WP 400 001 cannot be used with this appliance.  
Appliance can be snapped into the worktop from above.  
Appliance weight: approx. 18.

**Connection**  
Total connected load 7.4 KW.  
Connecting cable 1.5 m without plug.  
Power consumption standby/display off 0.4 W.  
Power consumption standby/network 1.7 W.  
Please check the user manual for how to switch off the WiFi module.

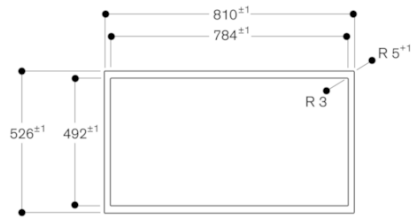
**Color Variants**

**VI482103**  
**Frameless**  
**Width 80 cm**

**Optional accessories**

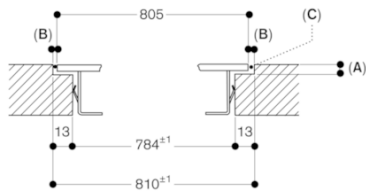
**GP900001**  
**Stainless steel frying sensor pan**  
**GP900002**  
**Stainless steel frying sensor pan**  
**GP900003**  
**Stainless steel frying sensor pan**  
**GP900004**  
**Stainless steel frying sensor pan**

View from above



measurements in mm

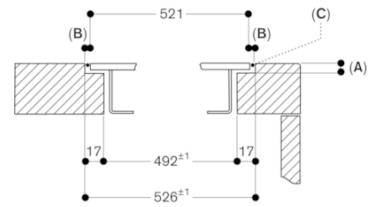
Longitudinal section



A: 6.5<sup>0.5</sup>  
 B: 2.5  
 C: Fill with silicone

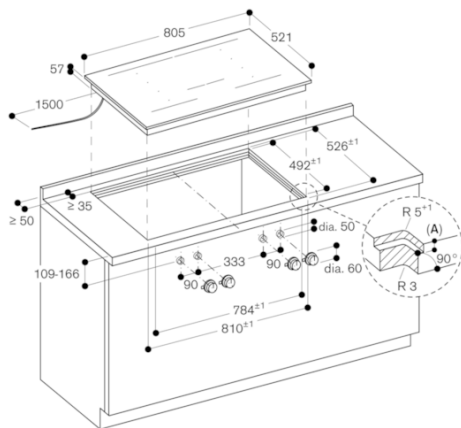
measurements in mm

Cross-section



A: 6.5<sup>0.5</sup>  
 B: 2.5  
 C: Fill with silicone

measurements in mm



A: 6.5<sup>0.5</sup>

measurements in mm