

#### Color Variants

VI422104  
Frameless  
Width 38 cm

#### Optional accessories

CA051300  
Teppan Yaki plate made of multi ply material  
CA052300  
Griddle plate in cast aluminium  
GP900001  
Stainless steel frying sensor pan  
GP900002  
Stainless steel frying sensor pan  
GP900003  
Stainless steel frying sensor pan

#### Installation Accessories

VA420004  
Connection strip for combination with other Vario appliances of the 400 series for flush installation

#### VI422104

Vario flex induction cooktop 400 series  
Frameless  
Width 38 cm

Flex function for combining the rectangular cooking areas  
Free positioning of cookware inside combined cooking areas  
Frying sensor function for temperature control in pans  
Easy control of all functions with two color displays  
Solid stainless steel control knob  
Frameless for flush installation

#### Cooking zones

2 flex induction cooking areas 24x20 cm (2200 W, with booster 3700 W), linked together 24x40 cm (3300 W, with booster 3700 W).

#### Handling

Control knobs with illuminated ring, cooking zone and output level markings.  
Electronic power control in 12 stage (1...12).  
User friendly control with two color display (white / orange).

#### Features

Flex function for rectangular cooking areas.  
Frying sensor function.  
Booster function.  
Stopwatch.  
Short-term timer.  
Options menu.  
Power management.  
Cooktop-based ventilation control (with suitable hood).  
Integrated WiFi module for digital services (Home Connect).  
The availability of the Home Connect functionality depends on the availability of the Home Connect Services in your country. Home Connect Services are not available in every country – for further information please check: [www.home-connect.com](http://www.home-connect.com)

#### Safety

Operation indicator.  
Pot detection.  
2 stage Hh residual heat indicator for each zone  
Safety shut-off.

#### Planning notes

The horizontal positioning of the knobs may be aligned with the specific cooking areas.  
The drawing "Installation of the control knob" must be observed if the panel is more than 23 mm thick (there must be a recess at the rear).  
The bearing capacity and stability, in the case of thin worktops in particular, must be supported using suitable substructures. Take into account the appliance weight and additional loads.  
Installation is possible in worktops made of stone, synthetics or solid wood. Heat resistance and watertight sealing of the cut edges must be observed. Concerning other materials please consult the worktop manufacturer.  
The groove must be continuous and even, so that uniform placing of the appliance on the gasket is ensured. Do not use discontinuous lining.  
The joint width may vary due to size tolerances of the combinations and of the worktop cut-out.

#### Characteristics

**Product name/family**  
Vario/Domino cooking zone cera

**Product name/family**  
Vario/Domino cooking zone cera

**Construction type**  
Built-in

**Construction type**  
Built-in

**Energy input**  
Electric

**Energy input**  
Electric

**Total number of positions that can be used at the same time**  
2

**Total number of positions that can be used at the same time**  
2

**Required niche size for installation (HxWxD)**  
57 x 360-389 x 492-527

**Required niche size for installation (HxWxD)**  
57 x 360-389 x 492-527

**Width of the appliance**  
384

**Width of the appliance**  
384

**Dimensions**  
57 x 384 x 521

**Dimensions**  
57 x 384 x 521

**Dimensions of the packed product (HxWxD)**  
130 x 500 x 600

**Dimensions of the packed product (HxWxD)**  
130 x 500 x 600

**Net weight**  
9.5

**Net weight**  
9.5

**Gross weight**  
10.5

**Gross weight**  
10.5

**Residual heat indicator**  
Separate

**Residual heat indicator**  
Separate

**Location of control panel**  
External control

**Location of control panel**  
External control

**Basic surface material**  
Ceramic

**Basic surface material**  
Ceramic

**Color of surface**  
Black

**Color of surface**  
Black

**Color of frame**

**Color of frame**

**Approval certificates**  
AENOR, CE

**Approval certificates**  
AENOR, CE

**Length of electrical supply cord**  
150

**Length of electrical supply cord**  
150

**EAN code**  
4242006298180

**EAN code**  
4242006298180

**Electrical connection rating**  
3700

**Electrical connection rating**  
3700

**Gas connection rating**

**Gas connection rating**

**Fuse protection**  
16

**Fuse protection**  
16

**Voltage**  
220-240

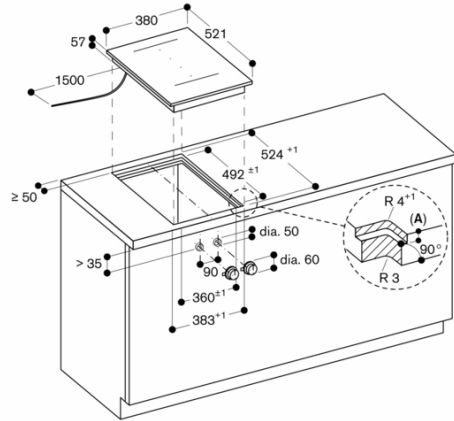
**Voltage**  
220-240

**Frequency**  
50,60

If installing several appliances in individual cut-outs allow for a division bar of minimum 50 mm between the individual cut-outs.  
Operates with magnetic (induction) iron pots and pans only. For an optimal heat distribution, the use of sandwich bottom cookware is recommended.  
Appliance can be snapped into the worktop from above.  
Appliance weight: approx. 9.

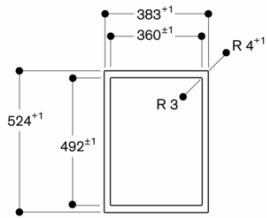
#### Connection

Total connected load 3.7 KW.  
Connecting cable 1.5 m without plug.  
Power consumption standby/display off 0.5 W.  
Power consumption standby/network 1.4 W.  
Please check the user manual for how to switch off the WiFi module.  
Can be combined perfectly with other Vario appliances of the 400 series



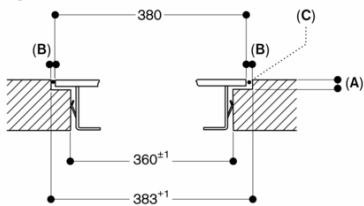
A:  $6.5^{+0.5}$   
 measurements in mm

View from above



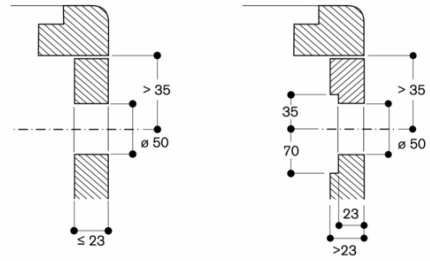
measurements in mm

Longitudinal section



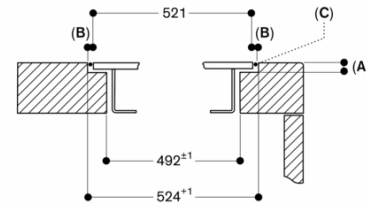
A:  $6.5^{+0.5}$   
 B: 1.5  
 C: Fill with silicone  
 measurements in mm

Installation of the control knob; flush installation



measurements in mm

Cross-section



A:  $6.5^{+0.5}$   
 B: 1.5  
 C: Fill with silicone  
 measurements in mm