

Color Variants

VI414104

Frameless

Width 38 cm

Optional accessories

GP900001

Stainless steel frying sensor pan

GP900002

Stainless steel frying sensor pan

GP900003

Stainless steel frying sensor pan

GP900004

Stainless steel frying sensor pan

WP400001

Wok pan made of multiple-layer

material

WZ400000

Wok attachment for wok pan

Installation Accessories

VA420004

Connection strip for combination with other Vario appliances of the 400 series for flush installation

VI414104

Vario induction cooktop 400 series

Frameless

Width 38 cm

32 cm cooking zone with booster function

Ideal for the original wok pan with round bottom, with wok ring

Frying sensor function for temperature control in pans

Easy control of all functions with two color displays

Solid stainless steel control knob
Frameless for flush installation

Cooking zones

1 induction cooking zone \varnothing 21 cm (2200 W, with booster 3700 W), automatically switches to \varnothing 26 cm (2600 W, with booster 3700 W) and to \varnothing 32 cm (3300 W, with booster 3700 W).

Handling

Control knobs with illuminated ring, cooking zone and output level markings.

Electronic power control in 12 stage (1...12).

User friendly control with two color display (white / orange).

Features

Frying sensor function.

Booster function.

Stopwatch.

Short-term timer.

Options menu.

Power management.

Cooktop-based ventilation control (with suitable hood).

Integrated WiFi module for digital services

(Home Connect).

The availability of the Home Connect functionality depends on the availability of the Home Connect Services in your country. Home Connect Services are not available in every country – for further information please check: www.home-connect.com

Safety

Operation indicator.

Pot detection.

2 stage Hh residual heat indicator for each zone

Safety shut-off.

Planning notes

The drawing "Installation of the control knob" must be observed if the panel is more than 23 mm thick (there must be a recess at the rear).

The bearing capacity and stability, in the case of thin worktops in particular, must be supported using suitable substructures. Take into account the appliance weight and additional loads. Installation is possible in worktops made of stone, synthetics or solid wood. Heat resistance and watertight sealing of the cut edges must be observed. Concerning other materials please consult the worktop manufacturer.

The groove must be continuous and even, so that uniform placing of the appliance on the gasket is ensured. Do not use discontinuous lining. The joint width may vary due to size tolerances of the combinations and of the worktop cut-out.

If installing several appliances in individual cut-outs allow for a division bar of minimum 50 mm between the individual cut-outs.

Characteristics

Product name/family

Vario/Domino cooking zone cera

Product name/family

Vario/Domino cooking zone cera

Construction type

Built-in

Construction type

Built-in

Energy input

Electric

Energy input

Electric

Total number of positions that can be used at the same time

1

Total number of positions that can be used at the same time

1

Required niche size for installation (HxWxD)

57 x 360-389 x 492-527

Required niche size for installation (HxWxD)

57 x 360-389 x 492-527

Width of the appliance

384

Width of the appliance

384

Dimensions

57 x 384 x 521

Dimensions

57 x 384 x 521

Dimensions of the packed product (HxWxD)

130 x 580 x 600

Dimensions of the packed product (HxWxD)

130 x 580 x 600

Net weight

9.2

Net weight

9.2

Gross weight

10.2

Gross weight

10.2

Residual heat indicator

Separate

Residual heat indicator

Separate

Location of control panel

External control

Location of control panel

External control

Basic surface material

Ceramic

Basic surface material

Ceramic

Color of surface

Black

Color of surface

Black

Color of frame

Color of frame

Approval certificates

AENOR, CE

Approval certificates

AENOR, CE

Length of electrical supply cord

150

Length of electrical supply cord

150

EAN code

4242006298173

EAN code

4242006298173

Electrical connection rating

3700

Electrical connection rating

3700

Gas connection rating

Gas connection rating

Fuse protection

16

Fuse protection

16

Voltage

220-240

Voltage

220-240

Frequency

50,60

Operates with magnetic (induction) iron pots and pans only. For an optimal heat distribution, the use of sandwich bottom cookware is recommended. Appliance can be snapped into the worktop from above. Appliance weight: approx. 9.

Connection

Total connected load 3.7 KW.

Connecting cable 1.5 m without plug.

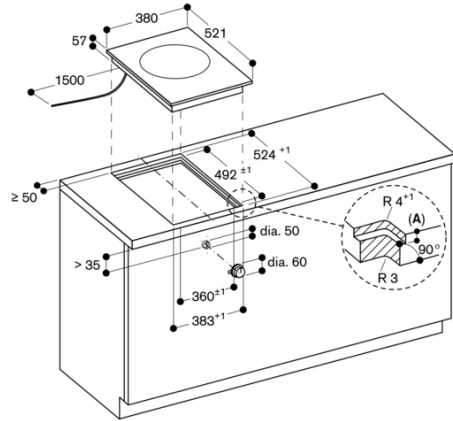
Power consumption standby/display off 0.5 W.

Power consumption standby/network 1.4 W.

Please check the user manual for how to switch off the WiFi module.

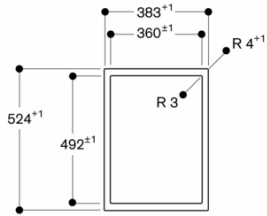
Can be combined perfectly with other Vario appliances of the 400 series

GAGGENAU



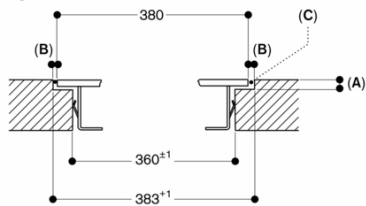
A: $6.5^{+0.5}$
 measurements in mm

View from above



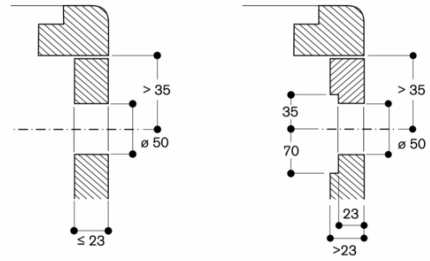
measurements in mm

Longitudinal section



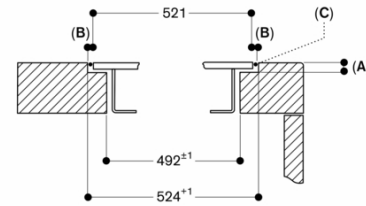
A: $6.5^{+0.5}$
 B: 1.5
 C: Fill with silicone
 measurements in mm

Installation of the control knob; flush installation



measurements in mm

Cross-section



A: $6.5^{+0.5}$
 B: 1.5
 C: Fill with silicone
 measurements in mm