

#### Color Variants

VI232121  
Black control panel  
Width 28 cm

#### Included accessories

1 x glass scraper.

#### Optional accessories

CA051300  
Teppan Yaki plate made of multi ply material  
CA052300  
Griddle plate in cast aluminium  
GP900001  
Stainless steel frying sensor pan  
GP900002  
Stainless steel frying sensor pan  
GP900003  
Stainless steel frying sensor pan  
VD200020  
Black appliance cover

#### Installation Accessories

VV200010  
Stainless steel connection strip for combination with further Vario cooktops  
VV200020  
Black connection strip for combination with other Vario appliances of the 200 series

#### VI232121

Vario flex induction cooktop 200 series  
Black control panel  
Width 28 cm

Can be combined with the cooktops of the Vario 200 series to a harmonic unity.  
Control panel for comfortable and secure operation

#### Cooking zones

2 flex induction cooking areas 21x19 cm (2200 W, with booster 3700 W), linked together 21x38 cm (3300 W, with booster 3700 W).

#### Handling

Control knobs with illuminated ring. Integrated control panel. Electronic power control in Variable 9-stage power settings for each zone.

#### Features

Cooking area marking.  
Flex function for rectangular cooking areas.  
Frying sensor function.  
Pot detection.  
Booster function for both cooking areas.

#### Safety

Residual heat indication.  
Operation indicator.  
Safety shut-off.

#### Planning notes

Operates with magnetic (induction) iron pots and pans only. For an optimal heat distribution, the use of sandwich bottom cookware is recommended. Appliance can be snapped into the worktop from above.  
Appliance weight: approx. 9.

#### Connection

Total connected load 3.7 KW.  
Connecting cable 1.5 m without plug.

#### Characteristics

##### Product name/family

Vario/Domino cooking zone cera

##### Product name/family

Vario/Domino cooking zone cera

##### Construction type

Built-in

##### Construction type

Built-in

##### Energy input

Electric

##### Energy input

Electric

##### Total number of positions that can be used at the same time

2

##### Total number of positions that can be used at the same time

2

##### Required niche size for installation

(HxWxD)

50 x 268 x 492

##### Required niche size for installation

(HxWxD)

50 x 268 x 492

##### Width of the appliance

288

##### Width of the appliance

288

##### Dimensions

50 x 288 x 512

##### Dimensions

50 x 288 x 512

##### Dimensions of the packed product

(HxWxD)

200 x 400 x 600

##### Dimensions of the packed product

(HxWxD)

200 x 400 x 600

##### Net weight

8.6

##### Net weight

8.6

##### Gross weight

9.7

##### Gross weight

9.7

##### Residual heat indicator

Separate

##### Residual heat indicator

Separate

##### Location of control panel

Hob front

##### Location of control panel

Hob front

##### Basic surface material

Ceramic

##### Basic surface material

Ceramic

##### Color of surface

Black, Stainless steel

##### Color of surface

Black, Stainless steel

##### Color of frame

Stainless steel

##### Color of frame

Stainless steel

##### Approval certificates

AENOR, CE

##### Approval certificates

AENOR, CE

##### Length of electrical supply cord

150

##### Length of electrical supply cord

150

##### EAN code

4242006298739

##### EAN code

4242006298739

##### Electrical connection rating

3700

##### Electrical connection rating

3700

##### Gas connection rating

##### Gas connection rating

##### Fuse protection

##### Fuse protection

##### Voltage

220-240

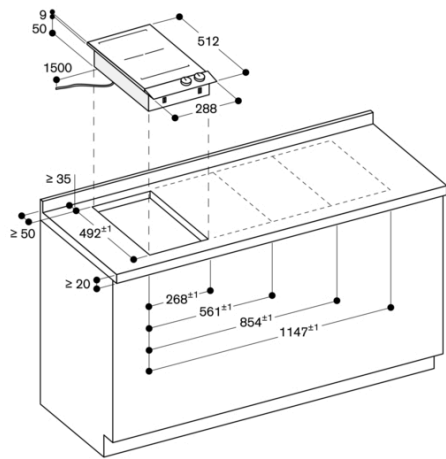
##### Voltage

220-240

##### Frequency

50, 60

# GAGGENAU



measurements in mm