



Color Variants

VG232220

Width 28 cm

Optional accessories

VD200020

Installation Accessories

VV200010

Stainless steel connection strip for combination with further Vario cooktops

VV200020

VG232220

Vario gas cooktop 200 series

Width 28 cm

Natural gas 20 mbar

Can be combined with the cooktops of the Vario 200 series to a harmonic unity.

Mechanical power level regulation for 9 power levels, with exact setting and reproduction of flame size
Solid smooth-surface cast pan supports for easy and safe positioning of cookware.

Cooking zones

Handling

One-handed operation.
Electric ignition.

Features

Cast pan support with continuous pot surface.
Enamelled burner cover.

Safety

Thermoelectric safety pilot.
Residual heat indication.
Operation indicator.

Planning notes

Appliance can be snapped into the worktop from above.
A minimum clearance of at least 150 mm from adjacent heat-sensitive furniture or contact surfaces must be observed or thermal insulation fitted.
With a total connected load of more than 12 kW local regulations concerning room ventilation, room size and combination of extraction or recirculation hoods must be observed.
Minimum clearance between gas cooktop(s) with more than 12 kW and ventilation hood 70 cm.
Appliance weight: approx. 9 kg.

Connection

Total connected load gas 4.9 kW.
Total connected load electric 10.0 W.
Connecting cable 1.5 m with plug.

Characteristics

Product name/family

Vario/Domino gas hob w control

Built-in / Free-standing

CONSTR_TYPE.Built-in

Energy input

Gas

Total number of positions that can be used at the same time

2

Required niche size for installation (HxWxD)

106 x 268 x 492

Width of the product (mm)

288

Dimensions of the product (mm)

106 x 288 x 512

Dimensions of the packed product (HxWxD) (mm)

260 x 400 x 600

Net weight (kg)

8.633

Gross weight (kg)

9.8

Residual heat indicator

Location of control panel

Basic surface material

brushed stainless steel

Color of surface

Stainless steel

Color of frame

Stainless steel

Approval certificates

CE, VDE

Length of electrical supply cord (cm)

150

EAN code

4242006280048

Consumption and connection features

Electrical connection rating (W)

10

Gas connection rating (W)

4900

Current (A)

10

Voltage (V)

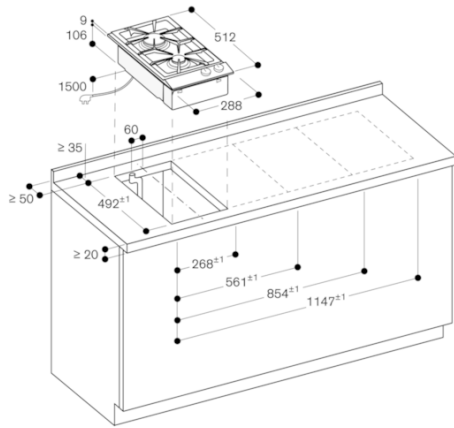
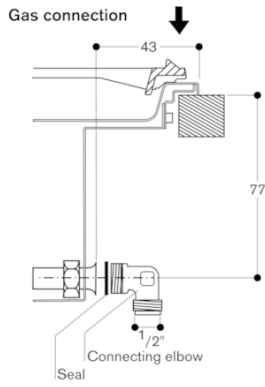
220-240

Frequency (Hz)

60; 50

created on 2020-03-23

Page 1



Minimum distance from the appliance cut-out to the side wall 150 mm.
measurements in mm