



#### Color Variants

**RT282306**  
**Fridge-freezer combination 200 series**  
**Niche width 56 cm, Niche height 177.5 cm**

#### Included accessories

3 x egg tray.  
 1 x wine and champagne rack.  
 1 x ice cube tray.

#### Optional accessories

**RA430100**

**RT282306**  
**with fresh cooling close to 0 °C**  
**Fridge-freezer combination 200 series**  
**Niche width 56 cm, Niche height 177.5 cm**  
**fully integrated**



Four climate zones incl. three fresh cooling drawers close to 0 °C  
 Height adjustable safety glass shelves  
 Door racks with aluminium profiles  
 Cushioned door closing system allowing a soft and controlled door closure  
 Total volume 269 litres

#### Handling

Electronic temperature control with digital display.  
 Touch keys.

#### Features

Automatic defrosting with defrost water evaporation.  
 Cushioned door closing system from 20° door opening angle, integrated in door hinge.  
 Open-door and malfunction alarm.  
 Integrated WiFi module for digital services (Home Connect).  
 The availability of the Home Connect functionality depends on the availability of the Home Connect Services in your country. Home Connect Services are not available in every country – for further information please check: [www.home-connect.com](http://www.home-connect.com)

#### Cooling

Fast cooling.  
 Temperature adjustable from +3 °C to +8 °C.  
 1 integrated shelf.  
 Wine and champagne rack for 4 bottles, can be completely folded away.  
 1 large door rack with aluminium profile for bottles with flexible bottle holder.  
 4 door racks with aluminium profile.  
 Bright interior lighting with integrated glare-free LED side light element.  
 Volume 171 litres.

#### Fresh cooling close to 0 °C

Humidity can be adjusted manually.  
 Ideal for fruit and vegetables.  
 Ideal for meat, fish and poultry.  
 Net volume 83 litres.

#### Freezing

Storage temperature -18 °C and lower.  
 4-star freezer compartment.  
 Freezing capacity 2.8 kg /24 h.  
 Storage time after a malfunction 9.5 h.  
 Volume 15 litres.

#### Product rating

Energy efficiency class E at a range of energy efficiency classes from A to G.  
 Energy consumption 184 kWh/year.  
 Noise level 36 dB (A) re 1 pW.

#### Planning notes

Flat hinge.  
 Door hinge right, reversible.  
 Door opening angle of 115°, fixable at 90°.  
 Max. door panel weight 22 kg.

#### Connection

Total connected load 0.09 KW.  
 Connecting cable 2.3 m with plug.

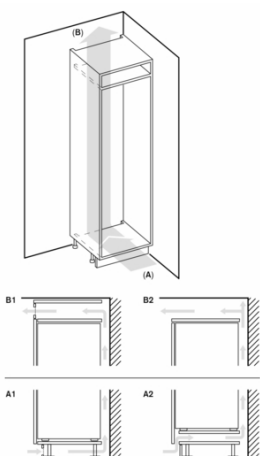
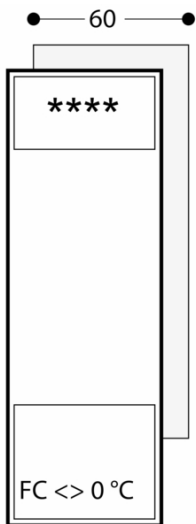
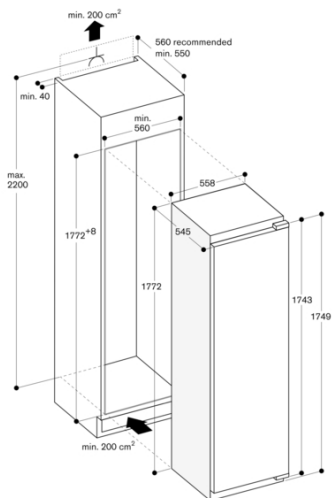
#### Characteristics

Energy Efficiency Class	E
Average annual energy consumption in kilowatt hour per year (kWh/a)	184
Sum of volume of frozen compartments	15
Sum of volume of chill compartments	254
Airborne acoustical noise emissions	36
Airborne acoustical noise emission class	C
Construction type	Built-in
Door panel options	Not possible
Height	1772
Width of the appliance	558
Depth of the product	545
Required niche size for installation (HxWxD)	1775.0 x 560 x 550
Net weight	67.3
Connection rating	90
Fuse protection	10
Door hinge	Right reversible
Voltage	220-240
Frequency	50
Approval certificates	CE
Length of electrical supply cord	230
Storage Period in Event of Power Failure (h)	10
Number of compressors	1
Number of independent cooling systems	2
Interior ventilator	No
Reversible Door Hinge	Yes
Number of Adjustable Shelves in fridge compartment (Stck)	4
Shelves for Bottles	Yes
Capacity of Water Tank	
EAN code	4242006292003
Brand	Gaggeneau
Product name / Commercial code	RT282306
Product category	Refrigerator
Frost free system	No
Installation type	Full-integrated

#### Consumption and connection features

created on 2022-06-14  
 Page 1

RT282306  
 with fresh cooling close to 0 °C  
 Fridge-freezer combination 200 series  
 Niche width 56 cm, Niche height 177.5 cm  
 fully integrated  
 created on 2022-06-14  
 Page 2



A: Air inlet ≥ 200 cm²; ventilation options A1 or A2  
 B: Air outlet ≥ 200 cm²; ventilation options B1 or B2