



RT282204
Fridge-freezer combination 200 series
with fresh cooling
fully integrated
Niche width 56 cm, Niche height 177.5 cm



Three climate zones incl. one fresh cooling drawer with manually adjustable humidity
 Height adjustable safety glass shelves
 Door racks with aluminium profiles
 Cushioned door closing system allowing a soft and controlled door closure
 Total volume 286 litres

Handling
 Electronic temperature control with digital display.
 Touch keys.

Features
 Dynamic cold air distribution.
 Automatic defrosting with defrost water evaporation.
 Cushioned door closing system from 20° door opening angle, integrated in door hinge.
 Open-door and malfunction alarm.

Cooling
 Temperature adjustable from +2 °C to +8 °C.
 4 safety glass shelves, of which 1 is fully extendable and 4 height adjustable.
 1 integrated shelf.
 Wine and champagne rack for 4 bottles, can be completely folded away.
 1 large door rack with aluminium profile for bottles with flexible bottle holder.
 5 door racks with aluminium profile.
 1 vegetable drawer.
 Bright interior lighting with integrated glare-free LED side light element.
 Total volume all refrigerator compartments 252 litres.

Fresh cooling
 1 full width fresh cooling drawer.
 Humidity can be adjusted manually.
 Ideal for fruit and vegetables.

Freezing
 Fast freezing.
 Storage temperature -18°C and lower.
 4-star freezer compartment.
 Freezing capacity 4 kg /24 h.
 Storage time after a malfunction 16 h.
 Volume 34 litres.

Product rating
 Energy efficiency class F at a range of energy efficiency classes from A to G.
 Energy consumption 222 kWh/year.
 Noise level 36 dB (A) re 1 pW.

Planning notes
 Flat hinge.
 Door hinge right, reversible.
 Door opening angle of 115°, fixable at 90°.
 Max. door panel weight 22 kg.

Connection
 Total connected load 0.09 KW.
 Connecting cable 2.3 m with plug.

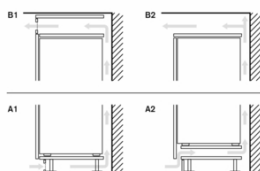
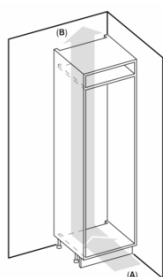
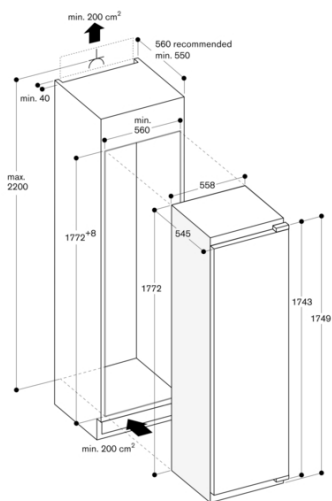
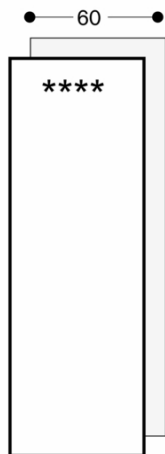
Characteristics
Energy Efficiency Class
 F
Average annual energy consumption in kilowatt hour per year (kWh/a)
 222
Sum of volume of frozen compartments
 34
Sum of volume of chill compartments
 252
Airborne acoustical noise emissions
 36
Airborne acoustical noise emission class
 C
Construction type
 Built-in
Door panel options
 Not possible
Height
 1772
Width of the appliance
 558
Depth of the product
 545
Required niche size for installation (HxWxD)
 1775.0 x 560 x 550
Net weight
 60.9
Connection rating
 90
Fuse protection
 10
Door hinge
 Right reversible
Voltage
 220-240
Frequency
 50
Approval certificates
 CE, VDE
Length of electrical supply cord
 230
Storage Period in Event of Power Failure (h)
 16
Number of compressors
 1
Number of independent cooling systems
 1
Interior ventilator
 No
Reversible Door Hinge
 Yes
Number of Adjustable Shelves in fridge compartment (Stck)
 4
Shelves for Bottles
 Yes
Capacity of Water Tank
EAN code
 4242006286484
Brand
 Gaggenau
Product name / Commercial code
 RT282204
Product category
 Refrigerator
Frost free system
 No
Installation type
 Full-integrated

Consumption and connection features
 created on 2022-06-16
 Page 1

Color Variants
RT282204
with fresh cooling
fully integrated

Included accessories
 2 x egg tray.
 1 x wine and champagne rack.
 1 x ice cube tray.

Optional accessories
RA430100



A: Air inlet ≥ 200 cm²; ventilation options A1 or A2
 B: Air outlet ≥ 200 cm²; ventilation options B1 or B2