



RC202180



Included accessories

1 x egg tray

Optional accessories

RA238030:

Bottle support, maple wood, 1 pcs.

RA430100:

Storage container with lid, anthracite

Installation Accessories

Built-under fridge 200 series
82 x 60 cm, soft close flat hinge

RC202180

- Home Connect
- Immerse your kitchen in a mesmerizing glow with Gaggenau's Glare-Free LED Light Spots and showcase your dishes like never before.

- Interior with solid elements in light satin aluminium

Height-adjustable safety glass shelves with aluminium profile

Warm white and glare-free LED light

Drawer with solid aluminium handle, close to 0 °C

Cushioned door closing system allowing a soft and controlled door closure

Total volume 134 litres

Handling

LED electronic with touch control.

Features

Cushioned door closing system from 20° door opening angle, integrated in door hinge.

Open-door alarm.

Holiday mode.

Rest mode.

Selected digital services (Home Connect)

Remote control and monitoring.

Remote diagnostics.

Cooling

Fast cooling.

Temperature adjustable from +2 °C to +6 °C.

2 height-adjustable safety glass shelves with aluminium profile.

1 drawer with solid aluminium handle, close to 0 °C, ideal for meat, fish and poultry.

1 bottom compartment with sliding glass lid.

1 large aluminium door rack for bottles, extra deep.

1 height-adjustable aluminium door rack.

1 adjustable door rack, small.

Warm white interior lighting (3500 K) with integrated glare-free LED side light.

Total volume all refrigerator compartments 134 litres.

Product rating

Energy efficiency class E at a range of energy efficiency classes from A to G.

Energy consumption 93 kWh/year.

Noise level 35 dB (A) re 1 pW.

Planning notes

Flat hinge.

Door hinge right, reversible.

Door opening angle of 115°, fixable at 90°.

Max. door panel weight 12 kg.

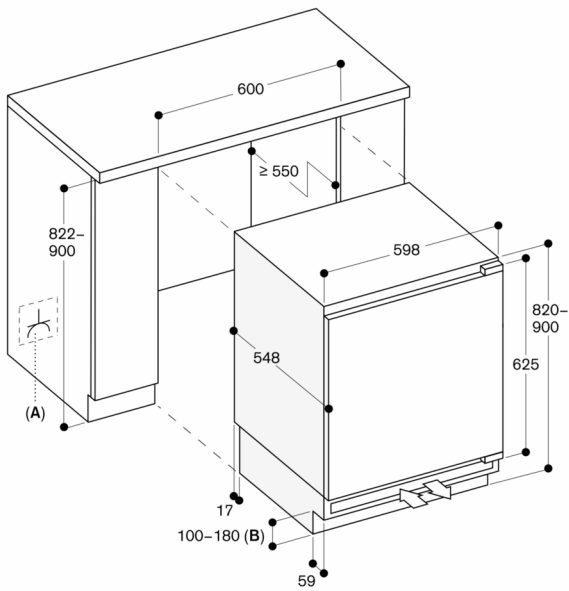
Height-adjustable feet.

The enclosed ventilation grille must be used.

The main socket needs to be planned outside of the niche.

Connection

Connecting cable 2.3 m with plug.



- A:** Socket
B: Base height:
- 100 mm when niche height is 822 mm
- 180 mm when niche height is 900 mm

Measurements in mm