



Color Variants

VG231220
Black control panel
Width 28 cm

Included accessories

1 x WOK attachment ring.

Optional accessories

VD200020
Black appliance cover
WP400001
Wok pan made of multiple-layer material

Installation Accessories

VV200010
Stainless steel connection strip for combination with further Vario cooktops
VV200020
Black connection strip for combination with other Vario appliances of the 200 series

VG231220

Vario gas wok 200 series
Black control panel
Width 28 cm
Natural gas 20 mbar
Wok burner with 6 KW

Can be combined with the cooktops of the Vario 200 series to a harmonic unity.

Control panel for comfortable and secure operation
Mechanical power level regulation for 9 power levels, with exact setting and reproduction of flame size
Multi-ring burner of solid, heat-resistant brass as used in professional kitchen
Total output up to 6 KW

Cooking zones

1 multi-ring wok burner (300 W – 6000 W), suitable for pots up to max. ø 30 cm.

Handling

Control knobs with illuminated ring.
Integrated control panel.
One-handed operation.
Electric ignition.
To close the cover, the pan support can be easily reversed.

Features

Cast pan support.
Brass burner rings.

Safety

Thermoelectric safety pilot.
Residual heat indication.
Operation indicator.

Planning notes

Appliance can be snapped into the worktop from above.
A minimum clearance of at least 150 mm from adjacent heat-sensitive furniture or contact surfaces must be observed or thermal insulation fitted.
With a total connected load of more than 11 kW local regulations concerning room ventilation, room size and combination of extraction or recirculation hoods must be observed. The minimum distance between the cooktop surface and a cabinet above, out of combustible material, needs to be 65 cm.
The minimum distance to a ventilation above is shown at the planning hints for the individual ventilation product.
Appliance weight: approx. 11.

Connection

Total connected load gas 6.0 KW.
Total connected load electric 10.0 W.
Connecting cable 1.5 m with plug.

Characteristics

Product name/family
Vario/Domino gas hob w control

Product name/family
Vario/Domino gas hob w control

Construction type
Built-in

Construction type
Built-in

Energy input
Gas

Energy input
Gas

Total number of positions that can be used at the same time
1

Total number of positions that can be used at the same time
1

Required niche size for installation (HxWxD)
106 x 268 x 492

Required niche size for installation (HxWxD)
106 x 268 x 492

Width of the appliance
288

Width of the appliance
288

Dimensions
148 x 288 x 512

Dimensions
148 x 288 x 512

Dimensions of the packed product (HxWxD)
260 x 400 x 600

Dimensions of the packed product (HxWxD)
260 x 400 x 600

Net weight
11.0

Net weight
11.0

Gross weight
12.2

Gross weight
12.2

Residual heat indicator
Separate

Residual heat indicator
Separate

Location of control panel
Hob front

Location of control panel
Hob front

Basic surface material
brushed stainless steel

Basic surface material
brushed stainless steel

Color of surface
Stainless steel

Color of surface
Stainless steel

Color of frame
Stainless steel

Color of frame
Stainless steel

Approval certificates
VDE

Approval certificates
VDE

Length of electrical supply cord
150

Length of electrical supply cord
150

EAN code
4242006279967

EAN code
4242006279967

Electrical connection rating
10

Electrical connection rating
10

Gas connection rating
6000

Gas connection rating
6000

Fuse protection
10

Fuse protection
10

Voltage
220-240

GAGGENAU

VG231220

Vario gas wok 200 series

Black control panel

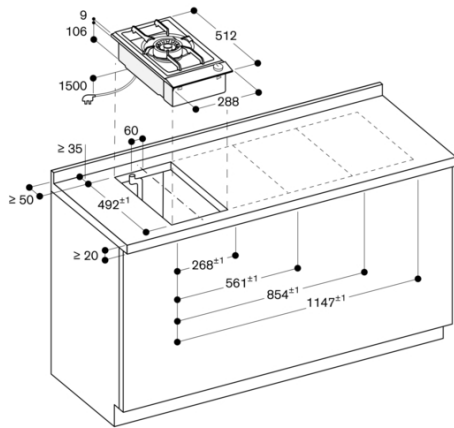
Width 28 cm

Natural gas 20 mbar

Wok burner with 6 KW

created on 2022-09-06

Page 2



Minimum distance from the appliance cut-out to the side wall 150 mm.
measurements in mm

