



**DV061100**  
**Vacuumping drawer 400 series**  
**fully integrated**  
**Width 60 cm, Height 14 cm**

Integrable in 14 cm high niche  
Hygienic stainless steel vacuuming chamber, applicable height up to 95 mm  
3 vacuuming levels for vacuuming in the chamber, max. 99%  
3 vacuuming levels for vacuuming outside the chamber, max. 90%  
Automatic connection recognition for vacuuming outside the chamber  
Cushioned closing system

#### Application

Vacuumping for sous-vide cooking.  
Vacuumping for fast marinating and flavouring.  
Vacuumping for fast marinating and flavouring.  
Vacuumping of vacuuming containers outside the chamber.  
Vacuumping of liquids in bottles outside the chamber.

#### Handling

Touch key operation.

#### Features

Net volume 7 litres.  
Capacity load max. 10 kg.  
Maximum size of vacuuming bags W 240 mm x L 350 mm.  
3 heat-sealing levels for different strengths of bag material.  
Sealing bar, non-stick coating, removable.  
Safety glass cover, opens automatically after vacuuming.  
Raised vacuuming platform, 44 mm, deployable.  
Utility space in vacuuming chamber, W 210 mm x L 275 mm.  
Membrane for avoiding reflow of liquids during vacuuming outside the chamber.  
Drying programme for vacuuming pump.  
Warning function.

#### Planning notes

Attention: To open the fully integrated variant, a handle or a recessed grip is necessary.  
Front weight up to 3 kg.  
Necessary lateral gap between appliance front and furniture panel of min. 5 mm.  
Installation of BS/BM/CM directly above DV in 59 cm niche without intermediate floor.  
Built-in under worktop or in single niche.  
The socket can be planned behind the appliance.

#### Connection

Total connected load 0.32 KW.  
Connection cable 1.5 m, pluggable.

#### Characteristics

**Color / Material**  
**Alternative colors available**  
**Net weight**  
31.5  
**Gross weight**  
34.0  
**Product image**  
12749986\_DV061100\_def.jpg  
**EAN code**  
4242006292720  
**Dimensions**  
**Dimensions of the packed product (HxWxD)**  
240 x 660 x 670

#### Consumption and connection features

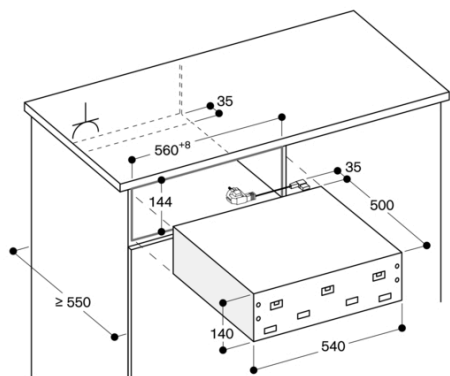
created on 2022-06-16

Page 1

#### Color Variants

**DV061100**  
**fully integrated**  
**Width 60 cm, Height 14 cm**

DV061100  
Vacuuming drawer 400 series  
fully integrated  
Width 60 cm, Height 14 cm  
created on 2022-06-16  
Page 2



⚡ Socket

measurements in mm