



CV492100
Flex induction cooktop with integrated ventilation system 400 series
Frameless for flush installation
Width 90 cm
Air extraction/recirculation
Delivery without ducting



Flex function for combining the rectangular cooking areas
Free positioning of cookware inside combined cooking areas with automatic extension up to 30 cm width
Highly efficient ventilation system integrated in the cooktop
Fully automatic ventilation system functions
Large-scale metal grease filter, easy to remove, dishwasher-safe
Energy-saving, low-noise fan
Air extraction or recirculation system
Integrated activated charcoal filter easily removable from above for air recirculation system
Solid stainless steel control knob with black coating
Easy control of all functions with two color displays

Cooking zones

2 flex induction cooking areas 23x20 cm (2200 W, with booster 3700 W), linked together 23x40 cm (3300 W, with booster 3700 W), with automatic extension up to 32x30 cm (3300 W, with booster 3700 W).
2 flex induction cooking areas 23x20 cm (2200 W, with booster 3700 W), linked together 23x40 cm (3300 W, with booster 3700 W), with automatic extension up to 32x30 cm (3300 W, with booster 3700 W).

Performance of ventilation system

Performance and noise level, output level 3/Intensive:
Air output according to EN 61591.
Sound power level according to EN 60704-3.
Air recirculation:
497 / 627m³/h.
67 / 72dB (A) re 1 pW.
55 / 61 dB (A) re 20 µPa.

Handling

Control knobs with illuminated ring, cooking zone and output level markings.
Electronic power control in 12 stage (1...12).
User friendly control with two color display (white / orange).
Control of ventilation system with 3 electronically controlled power levels and 1 intensive mode.

Features

Flex function for rectangular cooking areas.
Frying sensor function.
Booster function.
Automatic sensor-controlled performance adjustment of the ventilation system.
Automatic activation of the ventilation system when a cooking zone is used.
Interval ventilation, 6 min.
Automatic sensor-controlled or manual run-on function.
Grease filter and activated charcoal filter saturation indicator.
Removable, dishwasher-safe grease filter unit.
High-grade black zinc die-casted cover for ventilation system, dishwasher-safe.
Fan technology with highly efficient, brushless DC motor.
Airflow-optimised interior for efficient air circulation.
Stopwatch.

Characteristics
Product name/family
Cooking zone ceramic
Construction type
Built-in
Energy input
Electric
Total number of positions that can be used at the same time
Type of control setting devices
Required niche size for installation (HxWxD)
227 x 886-888 x 491-493
Width of the appliance
909
Dimensions
227 x 909 x 521
Dimensions of the packed product (HxWxD)
430 x 1090 x 670
Net weight
29.9
Gross weight
32.3
Residual heat indicator
Separate
Location of control panel
External control
Type of external control possibility
Basic surface material
Ceramic
Color of surface
Black
Color of frame
Approval certificates
Australia Standards, CE, Eurasian, G-Mark, Ukraine, VDE
Length of electrical supply cord
150
Knob Material
Full metal
Sealed Burners
No
heating with booster
All
Type of pan support
Power of heating element (kW)
Power of 2nd heating element (kW)
3.3
Power of 3rd heating element (kW)
Power of 4th heating element (kW)
Power of 5th heating element (kW)
3.7
Power of 3rd heating element (kW in boost)
Number of speed settings
Maximum output air extraction
532
Boost position output recirculating
627.0
Maximum output recirculating air
497
Boost position air extraction
636
Noise level
70
Diameter of air outlet
Grease filter material
Odour filter
No
Operating Mode
Convertible
Delay Shut off modes
30
Grease filter type
Clean filter reminders
Electrical connection rating
7400
Fuse protection
Voltage
220-240
Frequency
50; 60
Universal Product Code
Main colour of product
Black
Approval certificates
Australia Standards, CE, Eurasian, G-Mark, Ukraine, VDE
Total number of positions that can be used at the same time

Short-term timer.
Memory function.
Options menu.
Power management.
Integrated WiFi module for digital services (Home Connect).
The availability of the Home Connect functionality depends on the availability of the Home Connect Services in your country. Home Connect Services are not available in every country – for further information please check: www.home-connect.com

Product rating

Energy efficiency class A at a range of energy efficiency classes from A+++ to D.
Energy consumption 56.9 kWh/year.
Ventilation efficiency class A.
Illumination efficiency class -.
Grease filter efficiency class B.
Sound level min. 61 dB / max. 70 dB normal mode.

Safety

Operation indicator.
Pot detection.
2 stage Hh residual heat indicator for each zone
Child lock.
Safety shut-off.
Detachable, dishwasher-safe two-stage overflow protection.
Removable overflow container, 0,9-litre capacity, dishwasher-safe.

Planning notes

Bottom cabinet width: min. 60 cm.
Worktop depth: min. 60 cm with unducted recirculation, min. 65 cm with ducted recirculation/extraction.
Immersion depth 227 mm.
The unducted recirculation set CA 082 010 requires a vertical aperture of min. 25 mm behind the backpanel of the furniture. Suggested for ideal performance are 50 mm.
In air extraction a one-way flap with a maximum opening pressure of 65 Pa should be installed.
For optimum performance in air recirculation we recommend an outflow surface area of at least 400 cm².
Operates with magnetic (induction) iron pots and pans only. For an optimal heat distribution, the use of sandwich bottom cookware is recommended.
The pressuredrop resistant blower allows for ductings up to 8 m with 3 x 90° bows while keeping sufficient performance.
Appliance must be fixed from underneath.
Appliance weight: approx. 30.
The appliance must be freely accessible from below.
When installing a ventilation hood with air extraction mode and a chimney-vented fireplace, the hood's power supply line needs to feature a suitable safety switch.
Installation is possible in worktops made of stone, synthetics or solid wood. Heat resistance and watertight sealing of the cut edges must be observed. Concerning other materials please consult the worktop manufacturer.
The bearing capacity and stability, in the case of thin worktops in particular, must be supported using suitable substructures. Take into account the appliance weight and additional loads. The groove must be continuous and even, so that uniform placing of the appliance on the gasket is ensured. Do not use discontinuous lining.
Joint width may vary due to dimensional tolerances of the glass ceramic cooktop and the worktop cut-out.

Connection

Total connected load 7.4 KW.
Connecting cable 1.5 m without plug.
Power consumption standby/display off 0.5 W.
Power consumption standby/network 2 W.
Please check the user manual for how to switch off the WiFi module.

Color Variants

CV492100
Frameless for flush installation
Width 90 cm

Optional accessories

CA051300
Teppan Yaki plate made of multi ply material
CA052300
Griddle plate in cast aluminium
CA282111
4 activated charcoal filters with high efficient odour reduction for air recirculation mode.
GP900001
Stainless steel frying sensor pan
GP900002
Stainless steel frying sensor pan
GP900003
Stainless steel frying sensor pan
GP900004
Stainless steel frying sensor pan

Installation Accessories

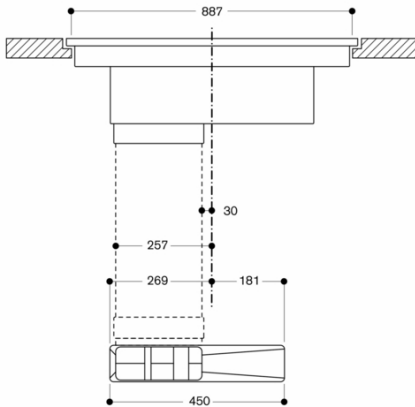
CA082010
Kit unducted recirculation
CA084010
Acoustic filter

GAGGENAU

CV492100
 Flex induction cooktop with integrated
 ventilation system 400 series
 Frameless for flush installation
 Width 90 cm
 Air extraction/recirculation
 Delivery without ducting

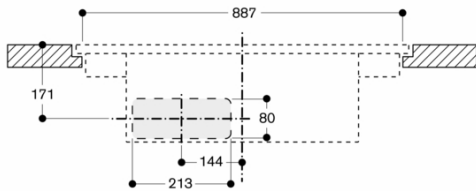
created on 2022-06-14
 Page 2

Front view of CV 492 with ducted recirculation

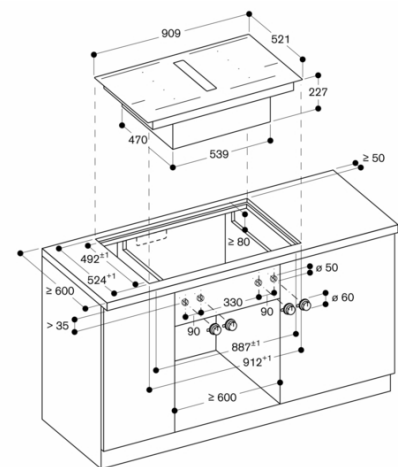


Measurements in mm

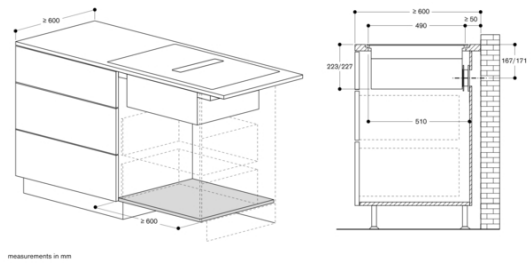
Front view – furniture cut-out for unducted recirculation;
 flush (CA 082 010)



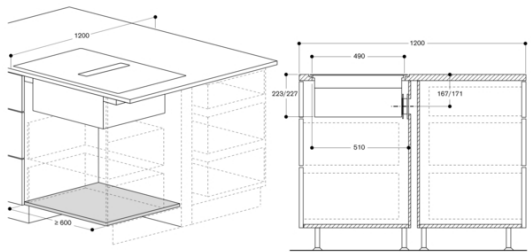
measurements in mm



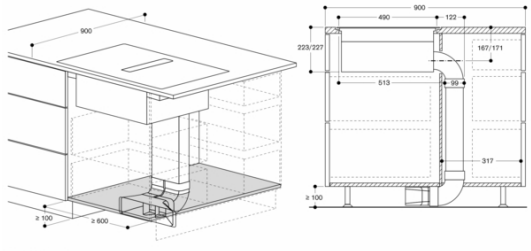
measurements in mm



measurements in mm



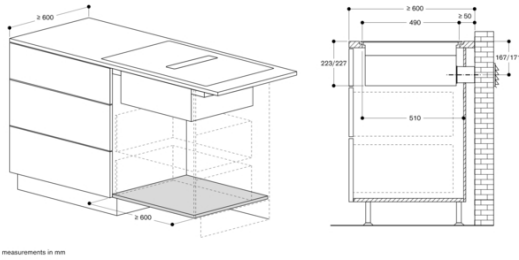
measurements in mm



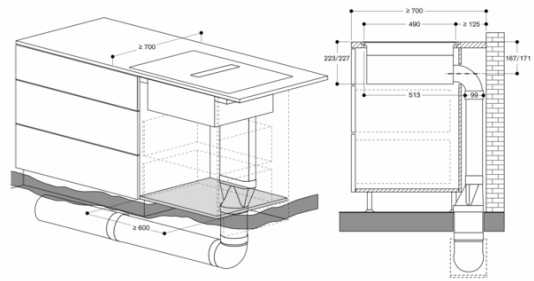
measurements in mm

CV492100
 Flex induction cooktop with integrated
 ventilation system 400 series
 Frameless for flush installation
 Width 90 cm
 Air extraction/recirculation
 Delivery without ducting

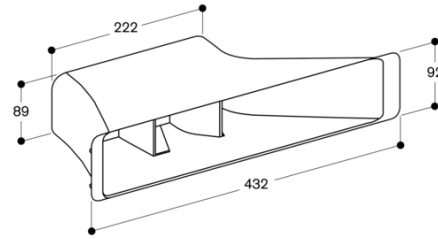
created on 2022-06-14
 Page 3



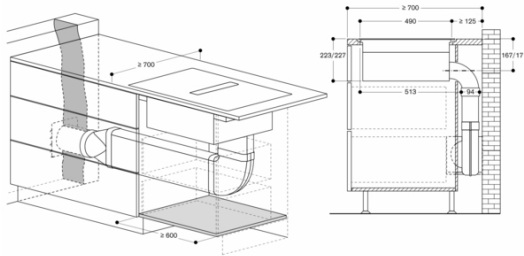
measurements in mm



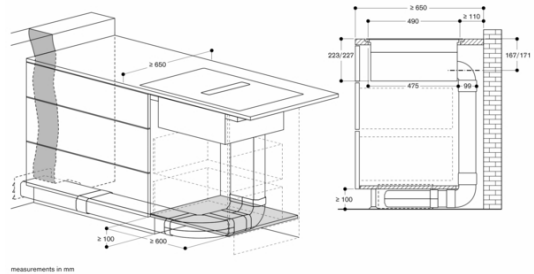
measurements in mm



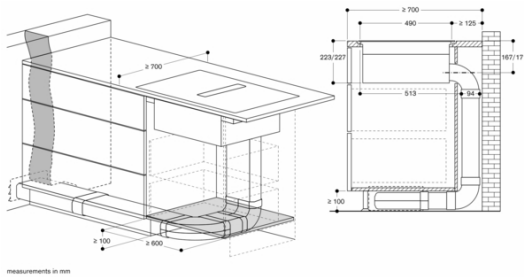
measurements in mm



measurements in mm



measurements in mm

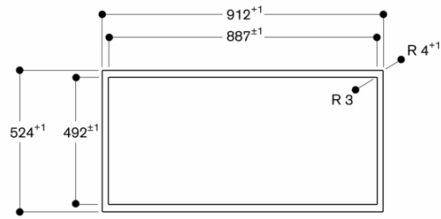


measurements in mm

CV492100
 Flex induction cooktop with integrated
 ventilation system 400 series
 Frameless for flush installation
 Width 90 cm
 Air extraction/recirculation
 Delivery without ducting

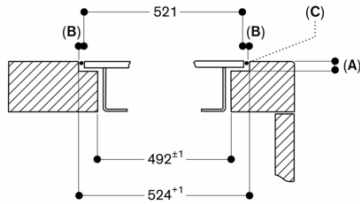
created on 2022-06-14
 Page 4

View from above



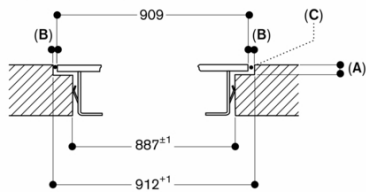
measurements in mm

Cross-section



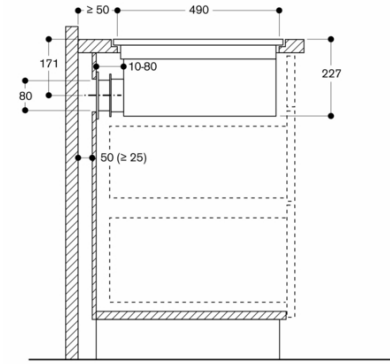
A: 6.5^{+0.5}
 B: 1.5
 C: Fill with silicone
 measurements in mm

Longitudinal section



A: 6.5^{+0.5}
 B: 1.5
 C: Fill with silicone
 measurements in mm

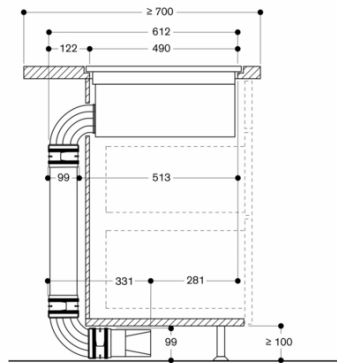
Side view of CV 282 101 / CV 492 100 with unducted recirculation (CA 082 010)



Not recommended for non-thermally insulated outer wall or floor (U ≥ 0.5 W/m²K)

Measurements in mm

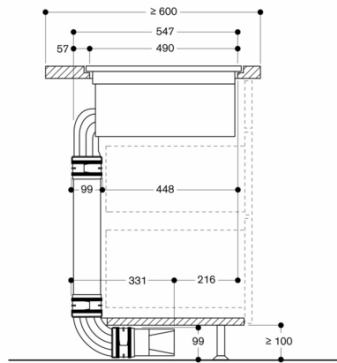
Side view of CV 282 / CV 492 with kit ducted air recirculation, 700 mm worktop depth (CA 082 070)



Not recommended for non-thermally insulated outer wall or floor (U ≥ 0.5 W/m²K)

Measurements in mm

Side view of CV 282 / CV 492 with kit ducted air recirculation, 600 mm worktop depth (CA 082 060)



Not recommended for non-thermally insulated outer wall or floor (U ≥ 0.5 W/m²K)

Measurements in mm