



<b>CV282101</b>
<b>Flex induction cooktop with integrated ventilation system 200 series</b>
<b>Frameless for flush installation</b>
<b>Width 80 cm</b>
<b>Air extraction/recirculation</b>
<b>Delivery without ducting</b>

Flex function for combining the rectangular cooking areas  
 Free positioning of cookware inside combined cooking areas  
 Highly efficient ventilation system integrated in the cooktop  
 Fully automatic ventilation system functions  
 Large-scale metal grease filter, easy to remove, dishwasher-safe  
 Energy-saving, low-noise fan  
 Air extraction or recirculation system  
 Integrated activated charcoal filter easily removable from above for air recirculation system  
 Twist-Pad control with removable, black magnetic knob  
 Easy control of all functions with two color displays

**Cooking zones**  
 2 flex induction cooking areas 20x24 cm (2200 W, with booster 3700 W), linked together 40x24 cm (3300 W, with booster 3700 W).

**Performance of ventilation system**  
 Performance and noise level, output level 3/Intensive:  
 Air output according to DIN EN 61591.  
 Sound power level according to EN 60704-3.  
 Sound pressure level according to EN 60704-13.  
 Air recirculation:  
 497 / 627 m<sup>3</sup>/h.  
 67 / 72 dB (A) re 1 pW.  
 55 / 61 dB (A) re 20 μPa.

**Handling**  
 Twist-Pad control with removable magnetic knob.  
 User friendly control with two color display (white / orange).  
 Cooking zone, and cooking area marking.  
 Electronic power control of the cooking zone in Variable 17-stage power settings for each zone.  
 Control of ventilation system with 3 electronically controlled power levels and 1 intensive mode.

**Features**  
 Flex function for rectangular cooking areas.  
 Automatic pot detection when the cooktop is switched on.  
 Professional cooking function.  
 Cooking sensor function (in use with cooking sensor CA 060 300).  
 Frying sensor function.  
 Booster function for pots.  
 Booster function for pans.  
 Keep warm function.  
 Automatic sensor-controlled performance adjustment of the ventilation system.  
 Automatic activation of the ventilation system when a cooking zone is used.  
 Interval ventilation, 6 min.  
 Sensor-controlled run-on function.  
 Air recirculation filter saturation indicator.  
 Removable, dishwasher-safe grease filter unit.  
 High-grade black zinc die-casted cover for ventilation system, dishwasher-safe.  
 Fan technology with highly efficient, brushless DC motor.

<b>Color Variants</b>
<b>CV282101</b>
<b>Frameless for flush installation</b>
<b>Width 80 cm</b>

<b>Optional accessories</b>
<b>CA051300</b>
<b>Teppan Yaki plate made of multi ply material</b>
<b>CA052300</b>
<b>Griddle plate in cast aluminium</b>
<b>CA060300</b>
<b>CA282111</b>
<b>4 activated charcoal filters with high efficient odour reduction for air recirculation mode.</b>
<b>GP900001</b>
<b>Stainless steel frying sensor pan</b>
<b>GP900002</b>
<b>Stainless steel frying sensor pan</b>
<b>GP900003</b>
<b>Stainless steel frying sensor pan</b>

<b>Installation Accessories</b>
<b>CA082010</b>
<b>Kit unducted recirculation</b>
<b>CA082020</b>
<b>Kit ducted recirculation</b>
<b>CA084010</b>
<b>Acoustic filter</b>

<b>Characteristics</b>
<b>Product name/family</b>
<b>Cooking zone ceramic</b>
<b>Construction type</b>
<b>Built-in</b>
<b>Energy input</b>
<b>Electric</b>
<b>Total number of positions that can be used at the same time</b>
<b>Type of control setting devices</b>
<b>Required niche size for installation (HxWxD)</b>
<b>Width of the appliance</b>
<b>792</b>
<b>Dimensions</b>
<b>227 x 792 x 512</b>
<b>Dimensions of the packed product (HxWxD) (mm)</b>
<b>430 x 940 x 670</b>
<b>Net weight (kg)</b>
<b>27.407</b>
<b>Gross weight (kg)</b>
<b>32.3</b>
<b>Residual heat indicator</b>
<b>without</b>
<b>Location of control panel</b>
<b>Hob front</b>
<b>Type of external control possibility</b>
<b>Basic surface material</b>
<b>Ceramic</b>
<b>Color of surface</b>
<b>Black</b>
<b>Color of frame</b>
<b>Approval certificates</b>
<b>Australia Standards, CE, Eurasian, G-Mark, Ukraine, VDE</b>
<b>Length of electrical supply cord (cm)</b>
<b>150</b>
<b>Knob Material</b>
<b>Full metal</b>
<b>Sealed Burners</b>
<b>No</b>
<b>heating with booster</b>
<b>All</b>
<b>Type of pan support</b>
<b>Power of heating element (kW)</b>
<b>Power of 2nd heating element (kW)</b>
<b>3.3</b>
<b>Power of 3rd heating element (kW)</b>
<b>Power of 4th heating element (kW)</b>
<b>Power of 5th heating element (kW)</b>
<b>3.7</b>
<b>Power of 3rd heating element (kW in boost)</b>
<b>Number of speed settings</b>
<b>Maximum output air extraction (m<sup>3</sup>/h)</b>
<b>532</b>
<b>Boost position output recirculating (m<sup>3</sup>/h)</b>
<b>627.0</b>
<b>Maximum output recirculating air (m<sup>3</sup>/h)</b>
<b>497</b>
<b>Boost position air extraction (m<sup>3</sup>/h)</b>
<b>636</b>
<b>Noise level (dB(A) re 1 pW)</b>
<b>70</b>
<b>Diameter of air outlet (mm)</b>
<b>Grease filter material</b>
<b>Odour filter</b>
<b>No</b>
<b>Operating Mode</b>
<b>Convertible</b>
<b>Delay Shut off modes</b>
<b>30</b>
<b>Grease filter type</b>
<b>Clean filter reminders</b>
<b>Electrical connection rating (W)</b>
<b>7400</b>
<b>Current (A)</b>
<b>Voltage (V)</b>
<b>220-240</b>
<b>Frequency (Hz)</b>
<b>50; 60</b>
<b>Universal Product Code</b>
<b>Main colour of product</b>
<b>Black</b>
<b>Approval certificates</b>
<b>Australia Standards, CE, Eurasian, G-Mark, Ukraine, VDE</b>
<b>Total number of positions that can be used at the same time</b>

Airflow-optimised interior for efficient air circulation.  
 Stopwatch.  
 Cooking timer for up to 99 minutes.  
 Short-term timer.  
 Memory function.  
 Options menu.  
 Power management.  
 Integrated WiFi module for digital services (Home Connect).  
 The availability of the Home Connect functionality depends on the availability of the Home Connect Services in your country. Home Connect Services are not available in every country – for further information please check: [www.home-connect.com](http://www.home-connect.com)

**Product rating**  
 Energy efficiency class A at a range of energy efficiency classes from A+++ to D.  
 Energy consumption 56.9 kWh/year.  
 Ventilation efficiency class A.  
 Illumination efficiency class -.  
 Grease filter efficiency class B.  
 Sound level min. 61 dB / max. 70 dB normal mode.

**Safety**  
 Main switch.  
 Operation indicator.  
 Pot detection.  
 2 stage Hh residual heat indicator for each zone  
 Child lock.  
 Safety shut-off.  
 Detachable, dishwasher-safe two-stage overflow protection.  
 Removable overflow container, 0,9-litre capacity, dishwasher-safe.

**Planning notes**  
 Bottom cabinet width: min. 60 cm.  
 Worktop depth: min. 60 cm with unducted recirculation, min. 65 cm with ducted recirculation/extraction.  
 Immersion depth 227 mm.  
 The unducted recirculation set CA 082 010 requires a vertical aperture of min. 25 mm behind the backpanel of the furniture. Suggested for ideal performance are 50 mm.  
 In air extraction a one-way flap with a maximum opening pressure of 65 Pa should be installed.  
 For optimum performance in air recirculation we recommend an outflow surface area of at least 440 cm<sup>2</sup>.  
 Operates with magnetic (induction) iron pots and pans only. For an optimal heat distribution, the use of sandwich bottom cookware is recommended.  
 For recirculation installations planned at external walls that are non-isolated, a ducted planning is suggested.  
 The pressuredrop resistant blower allows for ductings up to 8 m with 3 x 90° bows while keeping sufficient performance.

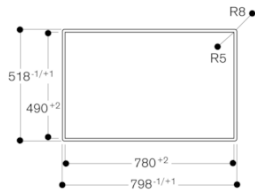
Appliance must be fixed from underneath.  
 Appliance weight: approx. 27.  
 The appliance must be freely accessible from below.  
 When installing a ventilation hood with air extraction mode and a chimney-vented fireplace, the hood's power supply line needs to feature a suitable safety switch.  
 Installation is possible in worktops made of stone, synthetics or solid wood. Heat resistance and watertight sealing of the cut edges must be observed. Concerning other materials please consult the worktop manufacturer.  
 The bearing capacity and stability, in the case of thin worktops in particular, must be supported using suitable substructures. Take into account the appliance weight and additional loads.  
 The groove must be continuous and even, so that uniform placing of the appliance on the gasket is ensured. Do not use discontinuous lining.  
 Joint width may vary due to dimensional tolerances of the glass ceramic cooktop and the worktop cut-out.

**Connection**

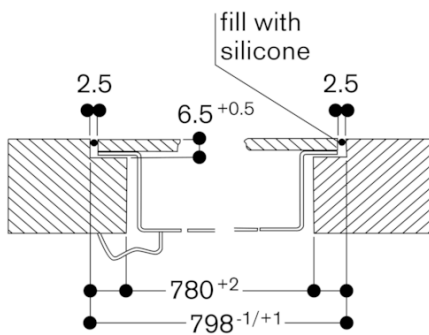


CV282101  
 Flex induction cooktop with integrated  
 ventilation system 200 series  
 Frameless for flush installation  
 Width 80 cm  
 Air extraction/recirculation  
 Delivery without ducting  
 created on 2021-03-02  
 Page 2

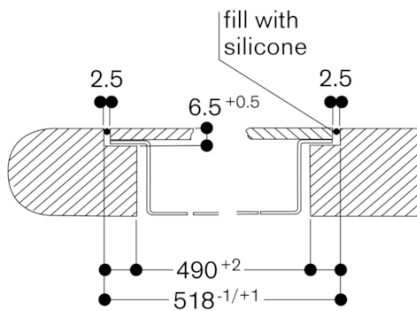
View from above



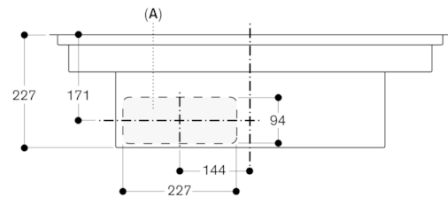
Longitudinal section



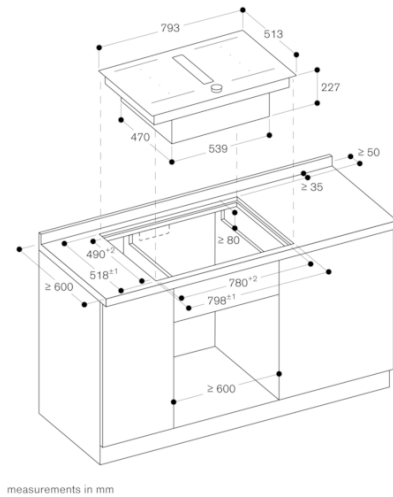
Cross section



Front view

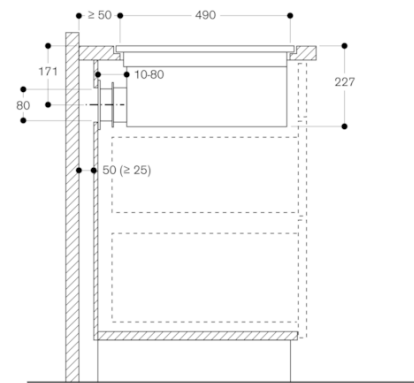


A: Connected directly at the rear  
 measurements in mm



measurements in mm

Side view of CV 282 101 with unducted recirculation (CA 082 010)

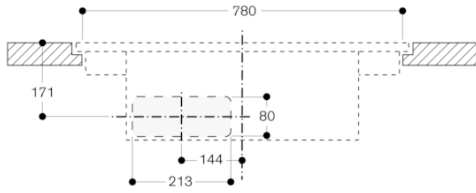


Not recommended for non-insulated outer walls ( $U \geq 0.5 \text{ W/m}^2 \text{ } ^\circ\text{C}$ )  
 measurements in mm

CV282101  
 Flex induction cooktop with integrated  
 ventilation system 200 series  
 Frameless for flush installation  
 Width 80 cm  
 Air extraction/recirculation  
 Delivery without ducting

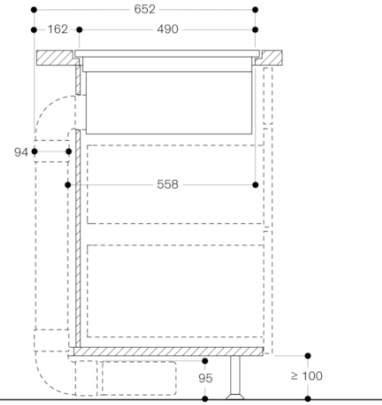
created on 2021-03-02  
 Page 3

Front view – furniture cut-out for unducted recirculation;  
 flush (CA 082 010)



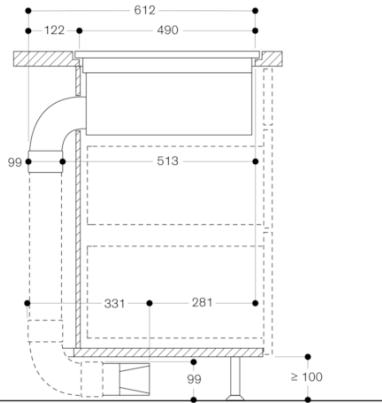
measurements in mm

Side view of CV 282 with extraction (CA 084 010)  
 and standard flat-duct bend, 90°



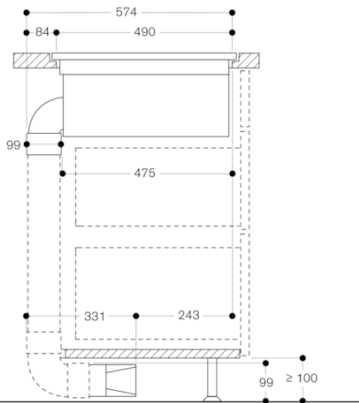
measurements in mm

Side view of CV 282/CV 492 with ducted recirculation (CA 082 020)  
 and standard flat-duct bend, 90°

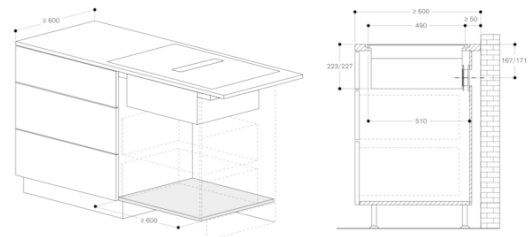


measurements in mm

Side view of CV 282/CV 492 with ducted recirculation (CA 082 020)  
 and short flat-duct bend, 90° (AD 857 033)

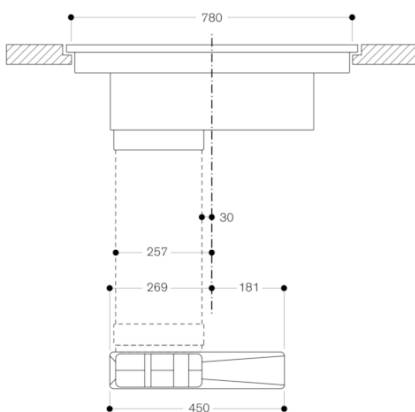


measurements in mm



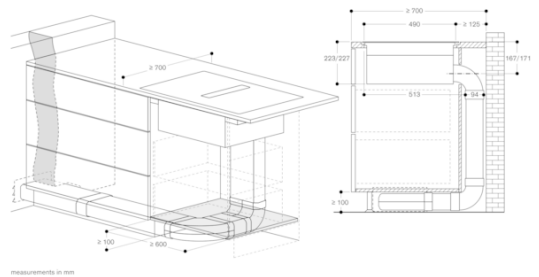
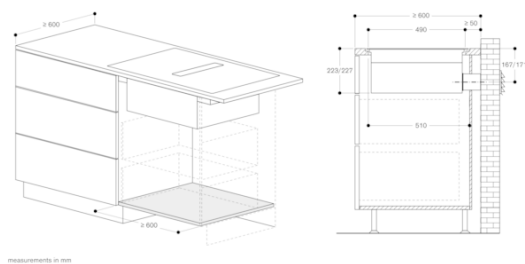
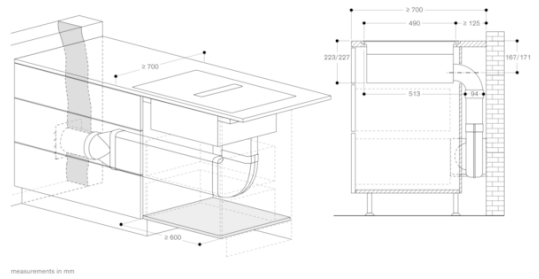
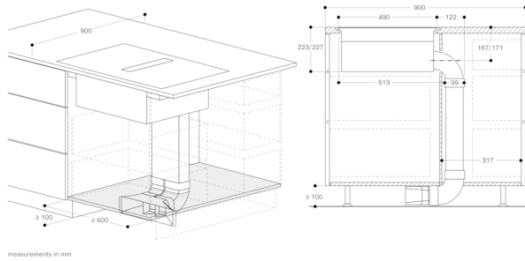
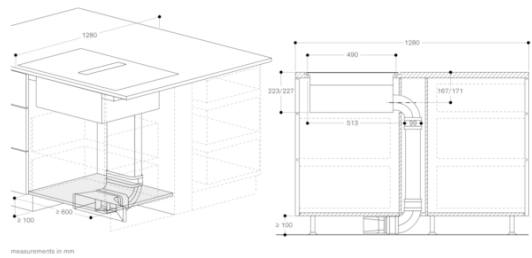
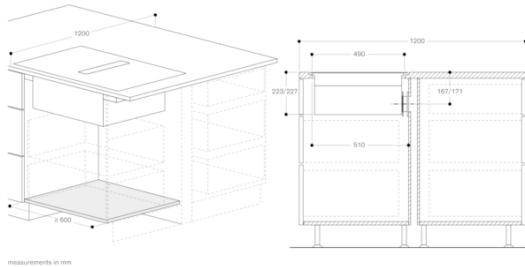
measurements in mm

Front view of CV 282 with ducted recirculation (CA 082 020)



measurements in mm

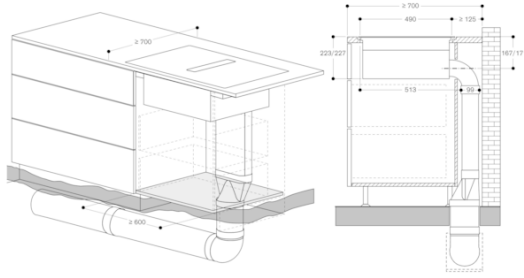
CV282101  
 Flex induction cooktop with integrated  
 ventilation system 200 series  
 Frameless for flush installation  
 Width 80 cm  
 Air extraction/recirculation  
 Delivery without ducting  
 created on 2021-03-02  
 Page 4



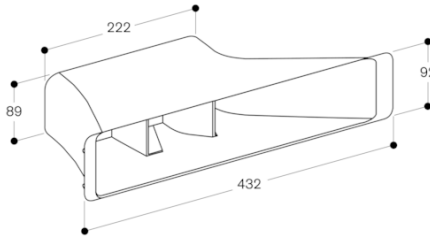
CV282101  
 Flex induction cooktop with integrated  
 ventilation system 200 series  
 Frameless for flush installation  
 Width 80 cm  
 Air extraction/recirculation  
 Delivery without ducting

created on 2021-03-02

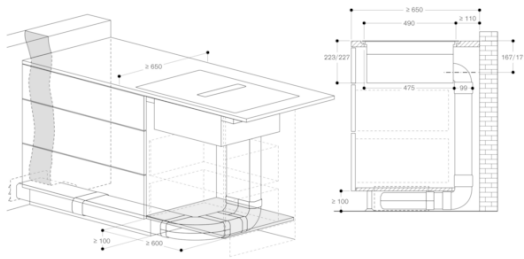
Page 5



measurements in mm

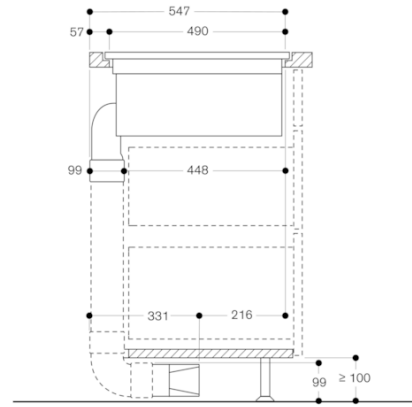


measurements in mm



measurements in mm

Side view of CV 282/CV 492 with ducted recirculation (CA 082 020)  
 and extra short flat-duct bend, 90° (AD 857 034)



measurements in mm