



CI283103
Flex induction cooktop 200 series
Frameless
Width 80 cm

Frameless for flush installation
Flex function for combining the rectangular cooking areas
Free positioning of cookware inside combined cooking areas
Professional cooking function for splitting the cooktop into 3 predefined heat areas
Cooking sensor function for temperature control in pots
Frying sensor function for temperature control in pans
Twist-Pad control with removable magnetic knob
Easy control of all functions with two color displays

Cooking zones
2 flex induction cooking areas 20x21 cm (2200 W, with booster 3700 W), linked together 40x21 cm (3300 W, with booster 3700 W).
1 induction cooking zone ø 24 cm (2200 W, with booster 3700 W).
1 induction cooking zone ø 18 cm (1800 W, with booster 3100 W).
1 induction cooking zone ø 15 cm (1400 W, with booster 2200 W).

Handling
Twist-Pad control with removable magnetic knob.
User friendly control with two color display (white / orange).
Cooking zone, and cooking area marking.
Electronic power control in 17 output levels.

Features
Flex function for rectangular cooking areas.
Professional cooking function.
Cooking sensor function (in use with cooking sensor CA 060 300).
Frying sensor function.
Booster function for pots.
Booster function for pans.
Keep warm function.
Stopwatch.
Cooking timer for up to 99 minutes.
Short-term timer.
Options menu.
Power management.
Cooktop-based ventilation control (with suitable hood).
Integrated WiFi module for digital services (Home Connect).
The availability of the Home Connect functionality depends on the availability of the Home Connect Services in your country. Home Connect Services are not available in every country – for further information please check: www.home-connect.com

Safety
Main switch.
Operation indicator.
Pot detection.
2 stage Hh residual heat indicator for each zone
Child lock.
Safety shut-off.

Planning notes
Operates with magnetic (induction) iron pots and pans only. For an optimal heat distribution, the use of sandwich bottom cookware is recommended.

Characteristics
Product name/family
Cooking zone ceramic
Construction type
Built-in
Energy input
Electric
Total number of positions that can be used at the same time
5
Type of control setting devices
Required niche size for installation (HxWxD)
Width of the appliance
793
Dimensions
56 x 793 x 513
Dimensions of the packed product (HxWxD) (mm)
126 x 953 x 608
Net weight (kg)
16.376
Gross weight (kg)
18.0
Residual heat indicator
Separate
Location of control panel
Hob front
Type of external control possibility
Basic surface material
Ceramic
Color of surface
Black
Color of frame
Approval certificates
AENOR, CE
Length of electrical supply cord (cm)
150
EAN code
4242006293611
Electrical connection rating (W)
7400
Gas connection rating (W)
Current (A)
Voltage (V)
220-240
Frequency (Hz)
50-60

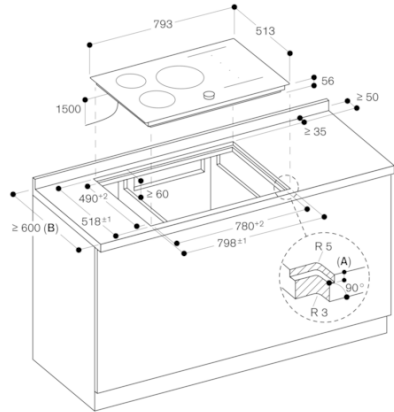
Consumption and connection features
created on 2021-02-26
Page 1

The wok pan WP 400 001 cannot be used with this appliance.
Appliance must be fixed from underneath.
Appliance weight: approx. 16.

Connection
Total connected load 7.4 KW.
Connecting cable 1.5 m without plug.
Power consumption standby/display off 0.5 W.
Power consumption standby/network 2 W.
Please check the user manual for how to switch off the WiFi module.

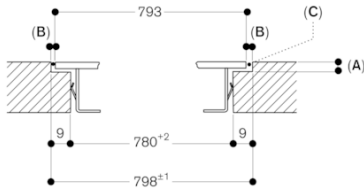
Color Variants
CI283103
Frameless
Width 80 cm

Optional accessories
CA051300
Teppan Yaki plate made of multi ply material
CA052300
Griddle plate in cast aluminium
CA060300
CA230100
Black magnetic knob for induction cooktop 200 series
GP900001
Stainless steel frying sensor pan
GP900002
Stainless steel frying sensor pan
GP900003
Stainless steel frying sensor pan



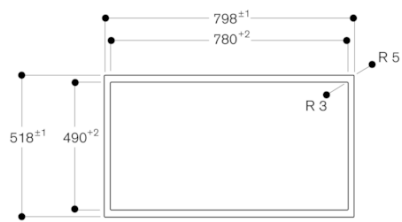
A: $6.5^{+0.5}$
 B: Please check the installation manual if the worktop depth is less than 600 mm.
 measurements in mm

Longitudinal section



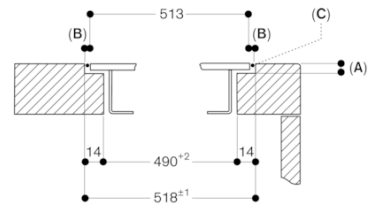
A: $6.5^{+0.5}$
 B: 2.5
 C: Fill with silicone
 measurements in mm

View from above



measurements in mm

Cross-section



A: $6.5^{+0.5}$
 B: 2.5
 C: Fill with silicone
 measurements in mm