



CI282112
Flex induction cooktop 200 series
Stainless steel frame
Width 80 cm

Color Variants

CI282112
Stainless steel frame
Width 80 cm

Optional accessories

CA051300
Teppan Yaki plate made of multi ply material
CA052300
Griddle plate in cast aluminium
CA060300
CA230100
Black magnetic knob for induction cooktop 200 series
GP900001
Stainless steel frying sensor pan
GP900002
Stainless steel frying sensor pan
GP900003
Stainless steel frying sensor pan
GP900004
Stainless steel frying sensor pan

Sturdy stainless steel frame
 Flex function for combining the rectangular cooking areas
 Free positioning of cookware inside combined cooking areas with automatic extension up to 30 cm width
 Cooking sensor function for temperature control in pots
 Professional cooking function for splitting the cooktop into 3 predefined heat areas
 Frying sensor function for temperature control in pans
 Twist-Pad control with removable magnetic knob
 Easy control of all functions with two color displays

Cooking zones

2 flex induction cooking areas 19x22,5 cm (2200 W, with booster 3700 W), linked together 38x22,5 cm (3300 W, with booster 3700 W), with automatic extension up to 30x30 cm (3300 W, with booster 3700 W).

Handling

Twist-Pad control with removable magnetic knob.
 User friendly control with two color display (white / orange).
 Cooking zone, and cooking area marking.
 Electronic power control in 17 output levels.

Features

Flex function for rectangular cooking areas.
 Cooking sensor function (in use with cooking sensor CA 060 300).
 Professional cooking function.
 Frying sensor function.
 Booster function for pots.
 Booster function for pans.
 Keep warm function.
 Stopwatch.
 Cooking timer for up to 99 minutes.
 Short-term timer.
 Options menu.
 Power management.
 Cooktop-based ventilation control (with suitable hood).
 Integrated WiFi module for digital services (Home Connect).
 The availability of the Home Connect functionality depends on the availability of the Home Connect Services in your country. Home Connect Services are not available in every country – for further information please check: www.home-connect.com

Safety

Main switch.
 Operation indicator.
 Pot detection.
 2 stage Hh residual heat indicator for each zone
 Child lock.
 Safety shut-off.

Planning notes

Operates with magnetic (induction) iron pots and pans only. For an optimal heat distribution, the use of sandwich bottom cookware is recommended. The wok pan WP 400 001 cannot be used with this appliance. Appliance must be fixed from underneath.

Characteristics

Product name/family
 Cooking zone ceramic

Construction type
 Built-in

Energy input
 Electric

Total number of positions that can be used at the same time
 4

Type of control setting devices
 Required niche size for installation (HxWxD)
 55 x 780-780 x 490-490

Width of the appliance
 804

Dimensions
 55 x 804 x 520

Dimensions of the packed product (HxWxD) (mm)
 126 x 953 x 608

Net weight (kg)
 16.876

Gross weight (kg)
 18.5

Residual heat indicator
 Separate

Location of control panel
 Hob front

Type of external control possibility
 Basic surface material
 Ceramic

Color of surface
 Black, Stainless steel

Color of frame
 Stainless steel

Approval certificates
 AENOR, CE

Length of electrical supply cord (cm)
 150

EAN code
 4242006292089

Electrical connection rating (W)
 7400

Gas connection rating (W)

Current (A)

Voltage (V)
 220-240

Frequency (Hz)
 50-60

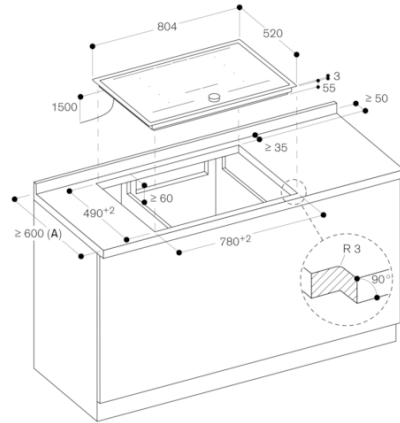
Consumption and connection features

created on 2021-02-26
 Page 1

Appliance weight: approx. 17.

Connection

Total connected load 7.4 KW.
 Connecting cable 1.5 m without plug.
 Power consumption standby/display off 0.5 W.
 Power consumption standby/network 2 W.
 Please check the user manual for how to switch off the WiFi module.



A: Please check the installation manual if the worktop depth is less than 600 mm.
measurements in mm