



**CI272103**  
**Flex induction cooktop 200 series**  
**Frameless**  
**Width 70 cm**

Frameless for flush installation  
Flex function for combining the rectangular cooking areas  
Free positioning of cookware inside combined cooking areas with automatic extension up to 30 cm width  
Cooking sensor function for temperature control in pots  
Professional cooking function for splitting the cooktop into 3 predefined heat areas  
Frying sensor function for temperature control in pans  
Twist-Pad control with removable magnetic knob  
Easy control of all functions with two color displays

**Cooking zones**  
2 flex induction cooking areas with each 19x23 cm (2200 W, with booster 3700 W), linked together 38x23 cm (3300 W, with booster 3700 W), with automatic extension up to 30x30 cm (3300 W, with booster 3700 W).

**Handling**  
Twist-Pad control with removable magnetic knob.  
User friendly control with two color display (white / orange).  
Cooking zone, and cooking area marking.  
Electronic power control in 17 output levels.

**Features**  
Flex function for rectangular cooking areas.  
Professional cooking function.  
Cooking sensor function (in use with cooking sensor CA 060 300).  
Frying sensor function.  
Booster function for pots.  
Booster function for pans.  
Keep warm function.  
Stopwatch.  
Cooking timer for up to 99 minutes.  
Short-term timer.  
Options menu.  
Power management.  
Cooktop-based ventilation control (with suitable hood).  
Integrated WiFi module for digital services (Home Connect).  
The availability of the Home Connect functionality depends on the availability of the Home Connect Services in your country. Home Connect Services are not available in every country – for further information please check: [www.home-connect.com](http://www.home-connect.com)

**Safety**  
Main switch.  
Operation indicator.  
Pot detection.  
2 stage Hh residual heat indicator for each zone  
Child lock.  
Safety shut-off.

**Planning notes**  
Operates with magnetic (induction) iron pots and pans only. For an optimal heat distribution, the use of sandwich bottom cookware is recommended.  
The wok pan WP 400 001 cannot be used with this appliance.  
Appliance must be fixed from underneath.

**Characteristics**  
**Product name/family**  
Cooking zone ceramic  
**Construction type**  
Built-in  
**Energy input**  
Electric  
**Total number of positions that can be used at the same time**  
4  
**Type of control setting devices**  
**Required niche size for installation (HxWxD)**  
**Width of the appliance**  
684  
**Dimensions**  
56 x 684 x 512  
**Dimensions of the packed product (HxWxD) (mm)**  
126 x 953 x 608  
**Net weight (kg)**  
15.570  
**Gross weight (kg)**  
17.1  
**Residual heat indicator**  
Separate  
**Location of control panel**  
Hob front  
**Type of external control possibility**  
**Basic surface material**  
Ceramic  
**Color of surface**  
Black  
**Color of frame**  
**Approval certificates**  
AENOR, CE  
**Length of electrical supply cord (cm)**  
150  
**EAN code**  
4242006287788  
**Electrical connection rating (W)**  
7400  
**Gas connection rating (W)**  
**Current (A)**  
**Voltage (V)**  
220-240  
**Frequency (Hz)**  
50-60

**Consumption and connection features**  
created on 2021-02-26  
Page 1

Appliance weight: approx. 16.

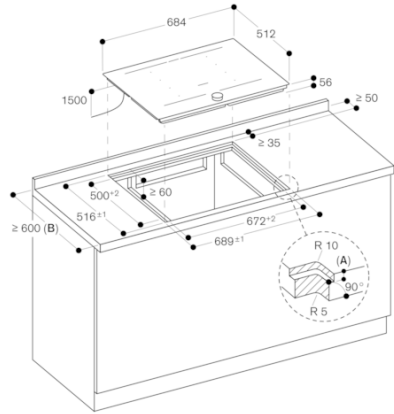
**Connection**  
Total connected load 7.4 KW.  
Connecting cable 1.5 m without plug.  
Power consumption standby/display off 0.5 W.  
Power consumption standby/network 2 W.  
Please check the user manual for how to switch off the WiFi module.

#### Color Variants

CI272103  
Frameless  
Width 70 cm

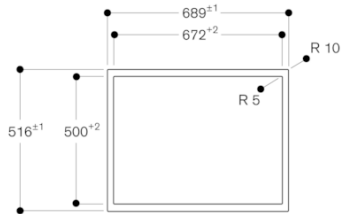
#### Optional accessories

CA051300  
Teppan Yaki plate made of multi ply material  
CA052300  
Griddle plate in cast aluminium  
CA060300  
CA230100  
Black magnetic knob for induction cooktop 200 series  
GP900001  
Stainless steel frying sensor pan  
GP900002  
Stainless steel frying sensor pan  
GP900003  
Stainless steel frying sensor pan  
GP900004  
Stainless steel frying sensor pan



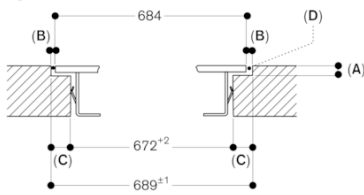
A:  $6.5^{+0.5}$   
 B: Please check the installation manual if the worktop depth is less than 600 mm.  
 measurements in mm

View from above



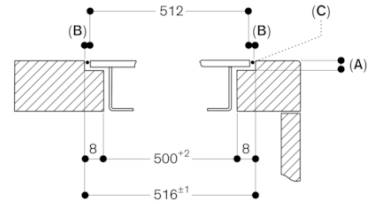
measurements in mm

Longitudinal section



A:  $6.5^{+0.5}$   
 B: 2.5  
 C: 8.5  
 D: Fill with silicone  
 measurements in mm

Cross-section



A:  $6.5^{+0.5}$   
 B: 2.5  
 C: Fill with silicone  
 measurements in mm