



**CE491112**  
**Glass ceramic cooktop**  
**Stainless steel frame**  
**Width 90 cm**

**Sturdy stainless steel frame**  
**Frying sensor function**  
**Three-ring cooking zone up to 27 cm**  
**Large roasting zone for BT 481**  
**Twist-Pad control with removable magnetic knob**

#### Cooking zones

2 Super-Quick cooking zones  $\varnothing$  18 cm (1800 W); together they convert to 18 x 41.5 cm (4400 W) roasting zone.  
1 Super-Quick cooking zone  $\varnothing$  12 cm (750 W), converts to  $\varnothing$  21 cm (2200 W) cooking zone.  
1 Super-Quick cooking zone  $\varnothing$  14.5 cm (1050 W), converts to  $\varnothing$  21 cm (2200 W) or  $\varnothing$  27 cm (3080 W) cooking zone.  
1 Super-Quick cooking zone  $\varnothing$  14.5 cm (1200 W).

#### Handling

Twist-Pad control with removable magnetic knob.  
Cooking zone marking.  
Electronic power control in 17 output levels.  
Frying sensor function for  $\varnothing$  21 cm cooking zone.  
Quick boil timer, with individually adjustable boiling time.  
Cooking timer for up to 90 minutes.  
Short-term timer.  
Memory function.  
Options menu.

#### Safety

Main switch.  
Operation indicator.  
Individual residual heat indicators.  
Child lock.  
Safety lock.

#### Planning notes

Appliance depth 43 mm, depth at plug socket 60 mm.  
Under the plug socket, a 10 mm clearance must be observed from side panels or from intermediate shelf.  
The cooktop must be freely accessible from underneath to be able to detach the cooktop's base in a downward direction.  
Installation possible in a 60 cm wide lower cabinet.  
Appliance must be fixed from underneath.  
Cooktop clamping range: 20 - 50 mm.

#### Connection

Total connected load 10.9 kW.  
Plan a connecting cable.

#### Characteristics

**Product name/family**  
Cooking zone ceramic  
**Construction type**  
Built-in  
**Energy input**  
Electric  
**Total number of positions that can be used at the same time**  
5  
**Type of control setting devices**  
Cylindrical controls, magnetic knob, TouchControl Basic  
**Required niche size for installation (HxWxD)**  
50 x 880 x 490  
**Width of the product (mm)**  
908  
**Dimensions of the product (mm)**  
52.5 x 908 x 520  
**Net weight (kg)**  
13.000  
**Gross weight (kg)**  
15.000  
**Residual heat indicator**  
Location of control panel  
Hob front  
**Type of external control possibility**  
**Basic surface material**  
Color of surface  
Black, Stainless steel  
Color of frame  
Stainless steel  
**Approval certificates**  
CE, ROSTEST, VDE  
**Length electrical supply cord (m)**

#### Consumption and connection features

**Electrical connection rating (W)**  
10900  
**Gas connection rating (W)**  
**Current (A)**  
3\*20  
**Voltage (V)**  
220-240  
**Frequency (Hz)**  
60; 50

created on 2014-05-13  
Page 1

#### Color Variants

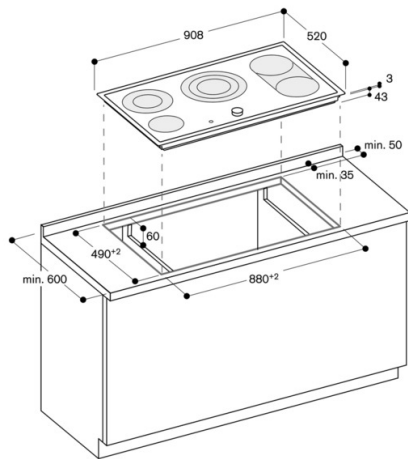
**CE491112**  
**Stainless steel frame**  
**Width 90 cm**

#### Included accessories

1 x glass scraper.

#### Optional accessories

**BT481000**  
**Cast roaster**  
**GP900003**  
**Stainless steel frying sensor pan**



Recessed depth in the vicinity of the electrical connection box 60 mm.