



CE291111
Glass ceramic cooktop
Stainless steel frame
Width 90 cm

Sturdy stainless steel frame
Frying sensor function
Three-ring cooking zone up to 27 cm
Large roasting zone
Sensor control with direct selection of output level

Cooking zones

2 Super-Quick cooking zones \varnothing 18 cm (1800 W); together they convert to 18 x 41.5 cm (4400 W) roasting zone.
1 Super-Quick cooking zone \varnothing 14.5 cm (1050 W), converts to \varnothing 21 cm (2200 W) or \varnothing 27 cm (3080 W) cooking zone.

Handling

Sensor control with direct selection of output level.
Cooking zone marking.

Features

Frying sensor function for \varnothing 21 cm cooking zone.
Booster function.
Cooking timer for up to 99 minutes.
Short-term timer.
Memory function.
Options menu.

Safety

Main switch.
Operation indicator.
2 stage Hh residual heat indicator for each zone
Child lock.
Safety shut-off.

Planning notes

Immersion depth 49 mm, depth at plug socket 50 mm.
Under the plug socket, a 10 mm clearance must be observed from side panels or from intermediate shelf.
The cooktop must be freely accessible from underneath to be able to detach the cooktop's base in a downward direction.
Installation possible in a 60 cm wide lower cabinet.
Appliance must be fixed from underneath.
Cooktop clamping range: 20 - 50 mm.
Appliance weight: approx. 13 kg.

Connection

Total connected load 11.0 kW.
Plan a connection cable.

Characteristics

Product name/family
Cooking zone ceramic
Construction type
Built-in
Energy input
Electric
Total number of positions that can be used at the same time
5
Type of control setting devices
Required niche size for installation (HxWxD)
49 x 880-880 x 490-490
Width of the product (mm)
908
Dimensions of the product (mm)
49 x 908 x 520
Dimensions of the packed product (HxWxD) (mm)
100 x 1120 x 620
Net weight (kg)
13.487
Gross weight (kg)
15.3
Residual heat indicator
Separate
Location of control panel
Hob front
Type of external control possibility
Basic surface material
Ceramic
Color of surface
Black, Stainless steel
Color of frame
Stainless steel
Approval certificates
CE, Eurasian, G-Mark, Ukraine, VDE
Length of electrical supply cord (cm)
EAN code
4242006263379

Consumption and connection features

Electrical connection rating (W)
11000
Gas connection rating (W)
Current (A)
3*20
Voltage (V)
220-240
Frequency (Hz)
50

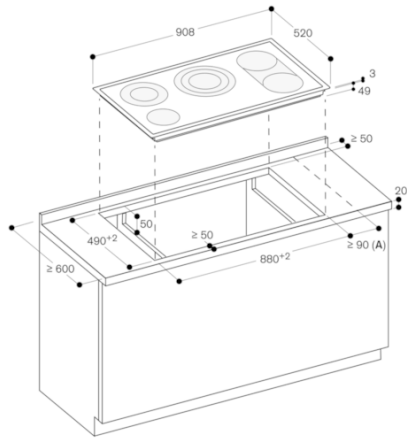
created on 2020-03-23
Page 1

Color Variants

CE291111
Stainless steel frame
Width 90 cm

Optional accessories

GP900003
Stainless steel frying sensor pan



A: Minimum distance from the hob cut-out to the wall.
measurements in mm