



CE261112
Glass ceramic cooktop
Stainless steel frame
Width 60 cm

Sturdy stainless steel frame
Sensor control with direct selection of output level

Cooking zones

1 Super-Quick cooking zone ø 17 cm (1800 W), switches to 17 x 26,5 cm (2600 W) roasting zone.
1 Super-Quick cooking zone ø 12 cm (750 W), converts to ø 21 cm (2200 W) cooking zone.
2 Super-Quick cooking zones ø 14.5 cm (1200 W).

Handling

Sensor control with direct selection of output level.
Cooking zone marking.
Electronic power control in 9 output levels.
Quick boil timer, with individually adjustable boiling time.
Cooking timer for up to 90 minutes.
Short-term timer.
Memory function.
Options menu.

Safety

Main switch.
Operation indicator.
Individual residual heat indicators.
Child lock.
Safety lock.

Planning notes

Under the plug socket, a 10 mm clearance must be observed from side panels or from intermediate shelf. The cooktop must be freely accessible from underneath to be able to detach the cooktop's base in a downward direction.
Installation possible in a 60 cm wide lower cabinet.
Appliance must be fixed from underneath.
Cooktop clamping range: 20 - 50 mm.

Connection

Total connected load 7.2 kW.
Plan a connecting cable.

Characteristics

Product name/family
Cooking zone ceramic

Construction type
Built-in

Energy input
Electric

Total number of positions that can be used at the same time
4

Type of control setting devices
TouchControl Basic

Required niche size for installation (HxWxD)
50 x 560 x 490

Width of the product (mm)
590

Dimensions of the product (mm)
52.5 x 590 x 520

Net weight (kg)
9,000

Gross weight (kg)
9,000

Residual heat indicator

Location of control panel
Hob front

Type of external control possibility
Basic surface material

Color of surface
Black, Stainless steel

Color of frame
Stainless steel

Approval certificates
CE, ROSTEST, VDE

Length electrical supply cord (m)

Consumption and connection features

Electrical connection rating (W)
7200

Gas connection rating (W)

Current (A)

Voltage (V)
220-240

Frequency (Hz)
60; 50

created on 2014-05-14

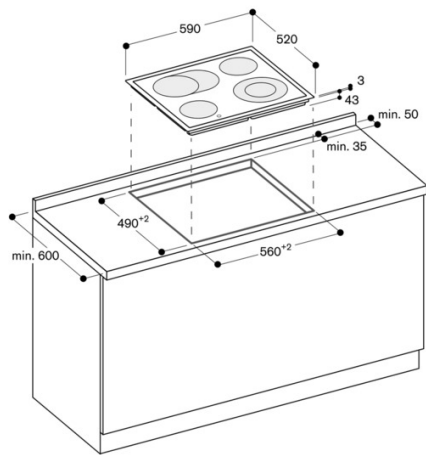
Page 1

Color Variants

CE261112
Stainless steel frame
Width 60 cm

Included accessories

1 x glass scraper.



Recessed depth in the vicinity of the electrical connection box 60 mm