



BSP220131
Steam oven 200 Series
Full glass door in Gaggenau Silver
Width 60 cm
controls at the top

Color Variants

BSP220131
Full glass door in Gaggenau Silver
Width 60 cm
BSP220101
Full glass door in Gaggenau Anthracite
Width 60 cm
BSP220111
Full glass door in Gaggenau Metallic
Width 60 cm

Included accessories

1 x grid.
 1 x STS tray.
 punched.
 40 mm deep.
 1 x STS tray.
 unpunched.
 40 mm deep.

Optional accessories

BA046117
Glass tray
BA220360
Cooking container, stainless steel,
unperforated, 35 mm deep, 5 l.
BA220370
Cooking container, stainless steel,
perforated, 35 mm deep, 5 l.
GN114130
Gastronorm insert, stainless steel, GN
1/3
GN114230
Gastronorm insert, stainless steel, GN
2/3
GN124130
Gastronorm insert, stainless steel, GN
1/3
GN124230
Gastronorm insert, stainless steel, GN
2/3

Product Variants

BSP221131
Steam oven 200 Series
Full glass door in Gaggenau Silver
Width 60 cm
controls at the top

Flush installation
 Water tank
 Large cavity
 LED light source
 External steam generation
 Steaming without pressure with 100% humidity from 30 °C to 100 °C
 Sous-vide cooking with accurate temperature regulation
 TFT touch display
 Panel-free appliance with surface control module
 Electronic temperature control from 30 °C to 100 °C
 59 litres net volume

Heating methods

100 % humidity.
 Sous-vide cooking. Dough proofing.
 Defrosting. Regenerating. Low temperature steaming.

Handling

Rotary knob and TFT touch display operation.
 Clear text display.
 Personalisation of automatic programmes.
 Information key with use indications.
 Side-opening door opens up to 110° angle.

Features

Removable 1.7 litre water tank.
 Water level warning.
 Actual temperature display.
 Timer functions: cooking time, cooking time end, timer, stopwatch, long-term timer (certified by Star-K).
 Automatic boiling point detection.
 LED light on the side.
 Hygienic stainless steel cooking interior.
 3 tray levels.
 Home network integration for digital services (Home Connect) either via cable connection LAN (recommended) or wireless via WiFi.
 The availability of the Home Connect functionality depends on the availability of the Home Connect Services in your country. Home Connect Services are not available in every country – for further information please check: www.home-connect.com

Safety

Child lock.
 Safety shut-off.
 Cooled housing with temperature protection.

Cleaning

Cleaning aid.
 Descaling programme for the steam generator.

Planning notes

Door hinge not reversible.
 No other electrical appliances should be installed above the BS.
 The door panel surface of the appliance extends 21 mm from the furniture cavity.
 The outer edge of the door handle extends 72 mm from the furniture cavity.
 Necessary lateral gap between appliance door and furniture panel of min. 5 mm.
 Consider the overhang, incl. the door handle, when planning to open drawers next to the appliance.

Characteristics

Color / Material Front
Construction type
 Built-in
Door opening
 Lateral
Required niche size for installation (HxWxD)
 450-450 x 560-560 x 550
Dimensions
Dimensions of the packed product (HxWxD)
 590 x 660 x 700
Control Panel Material
 without panel
Door Material
 Glass
Net weight
 36.0
Approval certificates
 Australia Standards, CCC, CE, China, China ROHS 20, Eurasian, G-Mark, Ukraine, VDE
Length of electrical supply cord
 175
EAN code
 4242006278243
Connection rating
 2750
Fuse protection
 16
Voltage
 220-240
Frequency
 50-60
Plug type
 Gardy plug w/ earthing
Approval certificates
 Australia Standards, CCC, CE, China, China ROHS 20, Eurasian, G-Mark, Ukraine, VDE

Consumption and connection features

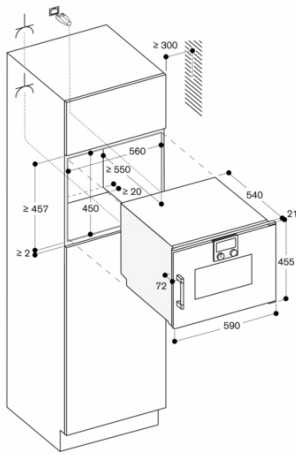
created on 2022-06-16
 Page 1

When planning a corner solution, pay attention to the 110° door opening angle.
 The main socket needs to be planned outside of the niche.
 The LAN port can be found at the back on the lower left side.
 Special accessories (order as spare part):
 Part No. 17002490 Descaling tablets.

Connection

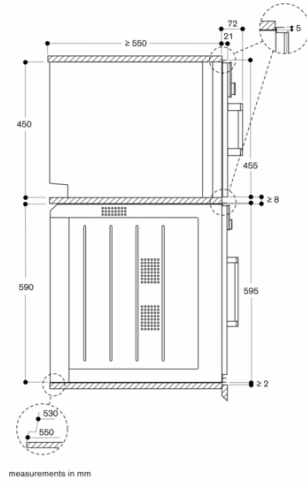
Total connected load 2.8 KW.
 Connecting cable 1.8 m with plug.
 Plan a LAN cable.
 Power consumption standby/display on 0.8 W.
 Power consumption standby/display off 0.5 W.
 Power consumption standby/network 1.8 W.
 Time auto-standby/display on 20 min.
 Time auto-standby/display off 20 min.#
 Time auto-standby/network 20 min.
 Please check the user manual for how to switch off the WiFi module.

BSP220131
Steam oven 200 Series
Full glass door in Gaggenau Silver
Width 60 cm
controls at the top
created on 2022-06-16
Page 2



Socket
measurements in mm

Side view of BSP 220/250 above BOP



measurements in mm