



**BS475112**  
**Combi-steam oven 400 series**  
**Stainless steel-backed full glass door**  
**Width 60 cm**  
**Controls at the bottom**

Handleless door / automatic door opening  
 Fixed inlet and outlet water connection  
 Cleaning system, fully automatic  
 Large cavity  
 2 LED light sources  
 External steam generation  
 Steaming without pressure  
 Hot air 30 °C to 230 °C can be combined with chosen humidity level of 0%, 30%, 60%, 80% or 100%  
 Sous-vide cooking with accurate temperature regulation  
 Full surface grill behind glass ceramic, combinable with circulated air up to 230 °C and steam  
 Automatic programmes  
 Core temperature probe with estimation of cooking time  
 TFT touch display  
 Panel-free appliance with surface control module  
 Electronic temperature control from 30 °C to 230 °C  
 50 litres net volume

**Heating methods**  
 Hot air + 100 % humidity. Hot air + 80 % humidity. Hot air + 60 % humidity. Hot air + 30 % humidity. Hot air + 0 % humidity. Low temperature cooking. Sous-vide cooking. Full surface grill level 1 + humidity. Full surface grill level 2 + humidity. Full surface grill + circulated air. Dough proofing. Defrosting. Regenerating.

**Handling**  
 Automatic door opening. Rotary knob and TFT touch display operation. Clear text display. Option to save individual recipes (incl. core temperature probe). Personalisation of automatic programmes. Information key with use indications. Side-opening door opens up to 180° angle.

**Features**  
 Full surface grill 2000 W behind glass ceramic.  
 Steam removal.  
 Three-point core temperature probe with automatic shut-off and estimation of cooking time.  
 Automatic programmes.  
 Actual temperature display.  
 Timer functions: cooking time, cooking time end, timer, stopwatch, long-term timer.  
 Automatic boiling point detection.  
 Capacity display for filter cartridge (if connected to GF 111 100 descaling system).  
 2 x LED light on the side.  
 Hygienic stainless steel cooking interior.  
 3 tray levels.  
 Home network integration for digital services (Home Connect) either via cable connection LAN (recommended) or wireless via WiFi.

**Characteristics**  
**Color / Material Front**  
**Construction type**  
 Built-in  
**Door opening**  
 Lateral  
**Required niche size for installation (HxWxD)**  
 450-450 x 560-560 x 550  
**Dimensions of the product (mm)**  
 455 x 590 x 540  
**Dimensions of the packed product (HxWxD) (mm)**  
 590 x 660 x 690  
**Control Panel Material**  
**Door Material**  
 Stainless steel behind glass  
**Net weight (kg)**  
 47.577  
**Approval certificates**  
 CE, VDE  
**Length of electrical supply cord (cm)**  
 175  
**EAN code**  
 4242006277680

**Consumption and connection features**  
**Electrical connection rating (W)**  
**Current (A)**  
 16  
**Voltage (V)**  
 220-240  
**Frequency (Hz)**  
 50  
**Plug type**  
 Gardy plug w/ earthing  
**Approval certificates**  
 CE, VDE  
**Number of cavities (2010/30/EC)**  
 1  
**Usable volume (of cavity) - NEW (2010/30/EC)**  
 50  
**Energy efficiency class (2010/30/EC)**  
 A  
**Energy consumption per cycle conventional (2010/30/EC)**  
**Energy consumption gas oven per cycle conventional (2010/30/EC)**  
**Energy consumption per cycle forced air convection (2010/30/EC)**  
 0.72  
**Energy consumption gas oven per cycle forced air convection (2010/30/EC)**  
**Energy efficiency index (2010/30/EC)**  
 94.7

created on 2020-04-12  
 Page 1

The availability of the Home Connect functionality depends on the availability of the Home Connect Services in your country. Home Connect Services are not available in every country – for further information please check: [www.home-connect.com](http://www.home-connect.com)

**Safety**  
 Child lock.  
 Safety shut-off.  
 Cooled housing with temperature protection.

**Cleaning**  
 Cleaning programme, fully automatic.  
 Descaling programme for the steam generator.  
 Drying programme.  
 Strainer filter, removable.  
 Demo cleaning programme.

**Planning notes**  
 Door hinge not reversible.  
 No other electrical appliances should be installed above the BS.  
 At no point may the outlet hose be positioned higher than the bottom edge of the appliance. The outlet hose must also be at least 100 mm lower than the appliance outlet (see drawing "drain connection").  
 Inlet hose can be extended once. The outlet hose must not be longer than a maximum of 5 m.  
 The water connection (1) for the inlet hose must always be accessible and not located directly behind the appliance.  
 The connection of the outlet hose to the siphon (2) must not be directly behind the appliance and should be accessible.  
 The descaling system GF 111 100 (3) must be installed when connecting the appliance if the water hardness exceeds 7° dH.  
 The façade of the appliance extends 47 mm from the furniture cavity.  
 When planning a corner solution, pay attention to the 90° door opening angle.  
 The main socket needs to be planned outside of the niche.

**Connection**  
 Energy efficiency class A at a range of energy efficiency classes from A+++ to D.  
 Total connected load 3.1 KW.  
 Only cold water connection.  
 Inlet hose 3.0 m with 3/4" (26,4 mm) connection, extendable.  
 Outlet hose (ø 24 mm) 3.0 m (HT-Hose). Connecting cable 1.8 m with plug.  
 Plan a LAN cable.  
 Power consumption standby/display on 0.8 W.  
 Power consumption standby/display off 0.5 W.  
 Power consumption standby/network 1.8 W.  
 Time auto-standby/display on 20 min.  
 Time auto-standby/display off 20 min.#  
 Time auto-standby/network 20 min.  
 Please check the user manual for how to switch off the WiFi module.

**Color Variants**  
**BS475112**  
**Stainless steel-backed full glass door**  
**Width 60 cm**

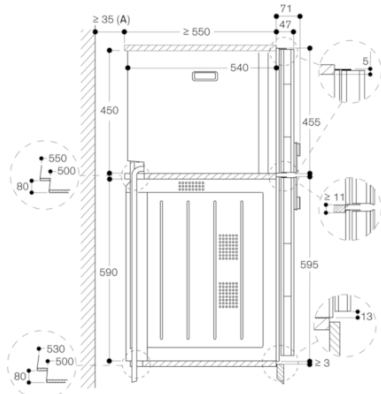
**Included accessories**  
 1 x outlet hose 3m.  
 1 x grid.  
 1 x pluggable meat probe.  
 1 x water inlet hose 3m.  
 1 x STS tray.  
 punched.  
 40 mm deep.

**Optional accessories**  
**GN010330**  
**GN114130**  
**Gastronorm insert, stainless steel, GN 1/3**  
**GN114230**  
**Gastronorm insert, stainless steel, GN 2/3**  
**GN124130**  
**Gastronorm insert, stainless steel, GN 1/3**  
**GN124230**  
**Gastronorm insert, stainless steel, GN 2/3**  
**GN340230**  
**Gastronorm roaster in cast aluminium**

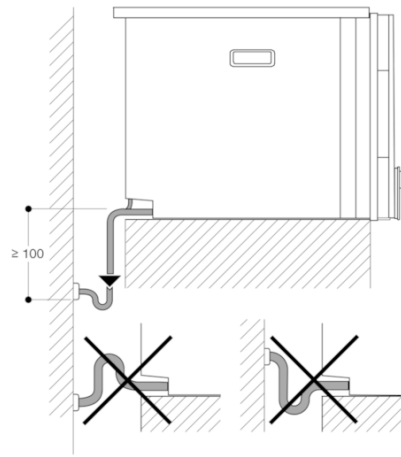
**Installation Accessories**  
**GF111100**  
**Descaling and neutralising filter**  
**GF121110**  
**Filter cartridges**  
**GZ010011**  
**Aqua stop extension (2 m long)**

**Product Variants**  
**BS470112**  
**Combi-steam oven 400 series**  
**Stainless steel-backed full glass door**  
**Width 60 cm**  
**controls at the top**  
**BS471112**  
**Combi-steam oven 400 series**  
**Stainless steel-backed full glass door**  
**Width 60 cm**  
**controls at the top**  
**BS474112**  
**Combi-steam oven 400 series**  
**Stainless steel-backed full glass door**  
**Width 60 cm**  
**Controls at the bottom**

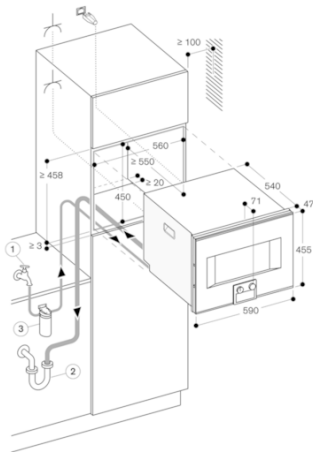
Side view of BS 474/475 above BO



A: Only required if the water hoses for the BS steam oven cannot be accommodated in the corner recesses of the appliances.  
 measurements in mm

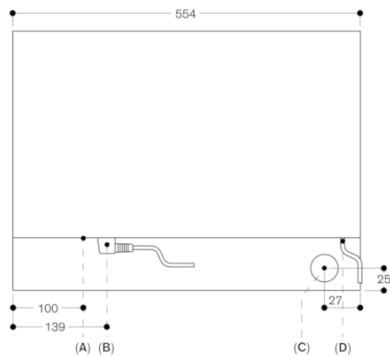


measurements in mm



Socket  
 measurements in mm

View from rear



A: LAN connection  
 B: Electric terminal box  
 C: Water outlet  
 D: Cold water inlet  
 measurements in mm