



BS471102
Combi-steam oven 400 series
Full glass door in Gaggenau Anthracite
Width 60 cm
controls at the top

Handleless door / automatic door opening
 Fixed inlet and outlet water connection
 Cleaning system, fully automatic
 Large cavity
 2 LED light sources
 External steam generation
 Steaming without pressure
 Hot air 30 °C to 230 °C can be combined with chosen humidity level of 0%, 30%, 60%, 80% or 100%
 Sous-vide cooking with accurate temperature regulation
 Full surface grill behind glass ceramic, combinable with circulated air up to 230 °C and steam
 Automatic programmes
 Core temperature probe with estimation of cooking time
 Hot air fan rotates in both directions for ideal heat distribution
 TFT touch display
 Panel-free appliance with surface control module
 Electronic temperature control from 30 °C to 230 °C
 50 litres net volume

Heating methods
 Hot air + 100 % humidity. Hot air + 80 % humidity. Hot air + 60 % humidity. Hot air + 30 % humidity. Hot air + 0 % humidity. Low temperature cooking. Sous-vide cooking. Full surface grill level 1 + humidity. Full surface grill level 2 + humidity. Full surface grill + circulated air. Dough proofing. Defrosting. Regenerating.

Handling
 Automatic door opening. Rotary knob and TFT touch display operation. Clear text display. Option to save individual recipes (incl. core temperature probe). Personalisation of automatic programmes. Information key with use indications. Side-opening door opens up to 180° angle.

Features
 Full surface grill 2000 W behind glass ceramic. Steam removal. Three-point core temperature probe with automatic shut-off and estimation of cooking time. Automatic programmes. Actual temperature display. Timer functions: cooking time, cooking time end, timer, stopwatch, long-term timer. Automatic boiling point detection. Capacity display for filter cartridge (if connected to GF 111 100 descaling system). 2 x LED light on the side. Hygienic stainless steel cooking interior. 4 tray levels. Home network integration for digital services (Home Connect) either via cable connection LAN (recommended) or wireless via WiFi.

Characteristics
Color / Material Front
 Anthracite
Construction type
 Built-in
Door opening
 Lateral
Required niche size for installation (HxWxD)
 450-450 x 560-560 x 550
Dimensions of the product (mm)
 455 x 590 x 540
Dimensions of the packed product (HxWxD) (mm)
 575 x 660 x 690
Control Panel Material
 Glass
Door Material
 Glass
Net weight (kg)
 45.660
Approval certificates
 Australia Standards, CCC, CE, China, China ROHS 20, Eurasian, G-Mark, Ukraine, VDE
Length of electrical supply cord (cm)
 175
EAN code
 4242006289423

Consumption and connection features
Electrical connection rating (W)
Current (A)
 16
Voltage (V)
 220-240
Frequency (Hz)
 50
Plug type
 Gardy plug w/ earthing
Approval certificates
 Australia Standards, CCC, CE, China, China ROHS 20, Eurasian, G-Mark, Ukraine, VDE
Number of cavities (2010/30/EC)
 1
Usable volume (of cavity) - NEW (2010/30/EC)
 50
Energy efficiency class (2010/30/EC)
 A
Energy consumption per cycle conventional (2010/30/EC)
Energy consumption gas oven per cycle conventional (2010/30/EC)
Energy consumption per cycle forced air convection (2010/30/EC)
 0.72
Energy consumption gas oven per cycle forced air convection (2010/30/EC)
Energy efficiency index (2010/30/EC)
 94.7

created on 2020-03-10
 Page 1

The availability of the Home Connect functionality depends on the availability of the Home Connect Services in your country. Home Connect Services are not available in every country – for further information please check: www.home-connect.com

Safety
 Child lock.
 Safety shut-off.
 Cooled housing with temperature protection.

Cleaning
 Cleaning programme, fully automatic.
 Descaling programme for the steam generator.
 Drying programme.
 Strainer filter, removable.
 Demo cleaning programme.

Planning notes
 Door hinge not reversible.
 No other electrical appliances should be installed above the BS.
 At no point may the outlet hose be positioned higher than the bottom edge of the appliance. The outlet hose must also be at least 100 mm lower than the appliance outlet (see drawing "drain connection").

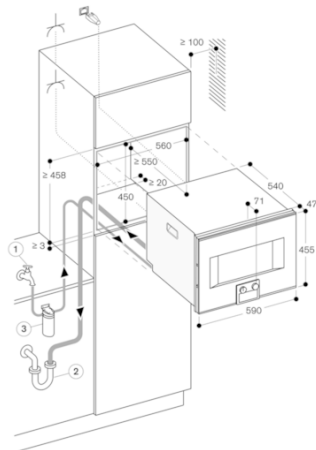
Inlet hose can be extended once. The outlet hose must not be longer than a maximum of 5 m. The water connection (1) for the inlet hose must always be accessible and not located directly behind the appliance. The connection of the outlet hose to the siphon (2) must not be directly behind the appliance and should be accessible. The descaling system GF 111 100 (3) must be installed when connecting the appliance if the water hardness exceeds 7° dH. The façade of the appliance extends 47 mm from the furniture cavity. When planning a corner solution, pay attention to the 90° door opening angle. The main socket needs to be planned outside of the niche.

Connection
 Energy efficiency class A at a range of energy efficiency classes from A+++ to D. Total connected load 3.1 KW. Only cold water connection. Inlet hose 3.0 m with 3/4" (26,4 mm) connection, extendable. Outlet hose (ø 24 mm) 3.0 m (HT-Hose). Connecting cable 1.8 m with plug. Plan a LAN cable. Power consumption standby/display on 0.8 W. Power consumption standby/display off 0.5 W. Power consumption standby/network 1.8 W. Time auto-standby/display on 20 min. Time auto-standby/display off 20 min.# Time auto-standby/network 20 min. Please check the user manual for how to switch off the WiFi module.

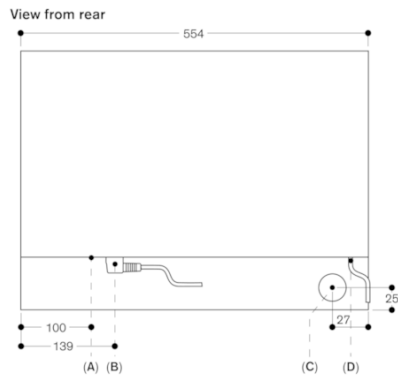
Color Variants
BS471102
Full glass door in Gaggenau Anthracite
Width 60 cm

Included accessories
 1 x outlet hose 3m.
 1 x STS tray-GN2/3-punched-40 mm deep.
 1 x STS tray-GN2/3-unpunched-40 mm deep.
 1 x grid.
 1 x pluggable meat probe.
 1 x water inlet hose 3m.
 1 x cleaning cartridge.

Optional accessories
GN010330
GN114130
 Gastronorm insert, stainless steel, GN 1/3
GN114230
 Gastronorm insert, stainless steel, GN 2/3
GN124130
 Gastronorm insert, stainless steel, GN 1/3
GN124230
 Gastronorm insert, stainless steel, GN 2/3
GN340230
 Gastronorm roaster in cast aluminium



Socket
 measurements in mm



A: LAN connection
 B: Electric terminal box
 C: Water outlet
 D: Cold water inlet
 measurements in mm