



**BOP221132**  
**Oven 200 series**  
**Full glass door in Gaggenau Silver**  
**Width 60 cm**  
**Left-hinged**

**Flush installation**  
**Pyrolytic system**  
**9 heating methods, with baking stone function**  
**TFT touch display**  
**Panel-free appliance with surface control module**  
**Electronic temperature control from 50 °C to 300 °C**  
**76 litres net volume**

#### Heating methods

Hot air.  
 Eco hot air.  
 Top + bottom heat.  
 Top heat.  
 Bottom heat.  
 Hot air+ bottom heat.  
 Full surface grill + circulated air.  
 Full surface grill.  
 Baking stone function.

#### Handling

Rotary knob and TFT touch display operation.  
 Clear text display.  
 Option to save individual recipes.  
 Information key with use indications.  
 Side-opening door opens up to 110° angle.

#### Features

Baking stone socket.  
 Actual temperature display.  
 Rapid heating.  
 Timer functions: cooking time, cooking time end, timer, stopwatch, long-term timer.  
 60 W halogen light on the top.  
 Enamelled side shelf supports with 4 tray levels, pyrolysis-safe.  
 Home network integration for digital services (Home Connect) either via cable connection LAN (recommended) or wireless via WiFi.  
 The availability of the Home Connect functionality depends on the availability of the Home Connect Services in your country. Home Connect Services are not available in every country – for further information please check: [www.home-connect.com](http://www.home-connect.com)

#### Safety

Thermally insulated door with quintuple glazing.  
 Child lock.  
 Safety shut-off.  
 Cooled housing with temperature protection.

#### Cleaning

Pyrolytic system.  
 Gaggenau enamel.  
 Heated air cleaning catalyser.

#### Planning notes

Door hinge not reversible.  
 The door panel surface of the appliance extends 21 mm from the furniture cavity.  
 The outer edge of the door handle extends 72 mm from the furniture cavity.  
 Necessary lateral gap between appliance door and furniture panel of min. 5 mm.  
 Consider the overhang, incl. the door handle, when planning to open drawers next to the appliance.  
 When planning a corner solution, pay attention to the 110° door opening angle.

#### Characteristics

**Color / Material Front**  
**Construction type**  
 Built-in  
**Integrated Cleaning system**  
 Pyrolytic  
**Required niche size for installation (HxWxD)**  
 590-590 x 560-560 x 550  
**Dimensions of the product (mm)**  
 595 x 590 x 547  
**Dimensions of the packed product (HxWxD) (mm)**  
 780 x 760 x 680  
**Control Panel Material**  
**Door Material**  
 Glass  
**Net weight (kg)**  
 54.950  
**Usable volume of cavity (l)**  
 76  
**Cooking method**  
 Baking stone function, Bottom heat, Conventional heat, Full width grill, Hot Air, Hot Air-Eco, Hot air grilling, Top heat  
**First cavity material**  
**Oven control**  
 electronic  
**Number of interior lights**  
 1  
**Approval certificates**  
 CE, VDE  
**Length of electrical supply cord (cm)**  
**EAN code**  
 4242006279912

#### Consumption and connection features

**Number of cavities (2010/30/EC)**  
 1  
**Energy efficiency class (2010/30/EC)**  
 A  
**Energy consumption per cycle conventional (2010/30/EC)**  
 1.25  
**Energy consumption gas oven per cycle conventional (2010/30/EC)**  
 0.83  
**Energy consumption per cycle forced air convection (2010/30/EC)**  
 0.83  
**Energy consumption gas oven per cycle forced air convection (2010/30/EC)**  
 0.83  
**Energy efficiency index (2010/30/EC)**  
 95.4  
**Connection rating (W)**  
 3700  
**Current (A)**  
 16  
**Voltage (V)**  
 220-240  
**Frequency (Hz)**  
 50  
**Plug type**  
 fixed connection, no plug

created on 2020-03-18  
 Page 1

For installation underneath cooktops: Distance between the underside of the cooktop and the top edge of the oven cavity: min. 15 mm. The planning notes for the cooktops (particularly regarding ventilation, gas/electric connection) must be taken into account.

To achieve the 550 mm installation depth, the connection cable needs to follow the slanted edge on the corner of the housing.

The main socket needs to be planned outside of the niche.

#### Connection

Energy efficiency class A at a range of energy efficiency classes from A+++ to D.

Total connected load 3.7 kW.

Plan a connection cable.

Power consumption standby/display off 0.5 W.

Power consumption standby/network 1.2 W.

Time auto-standby/network 20 min.

#### Color Variants

**BOP221132**  
**Full glass door in Gaggenau Silver**  
**Width 60 cm**  
**BOP221102**  
**Full glass door in Gaggenau Anthracite**  
**Width 60 cm**  
**BOP221112**  
**Full glass door in Gaggenau Metallic**  
**Width 60 cm**

#### Included accessories

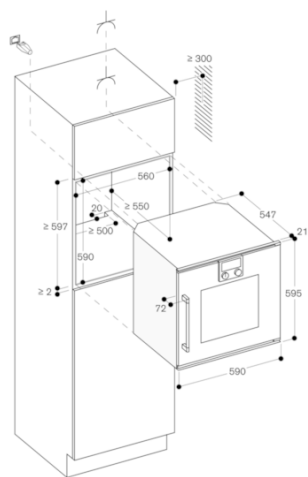
1 x enamel baking tray.  
 suit. pyrolytic clean.  
 1 x glass pan.  
 1 x grill shelf.

#### Optional accessories

**BA026115**  
**Baking tray, enamelled**  
**BA046115**  
**Glass tray**  
**BA056133**  
**Baking stone**  
**BA226105**  
**Grill tray, enamelled**  
**BS020002**  
**Pizza paddle, set of 2**  
**GN340230**  
**Gastronorm roaster in cast aluminium**

BOP221132  
Oven 200 series  
Full glass door in Gaggenau Silver  
Width 60 cm  
Left-hinged

created on 2020-03-18  
Page 2



measurements in mm