



BOP221102
Oven 200 series
Full glass door in Gaggenau Anthracite
Width 60 cm
Left-hinged

Flush installation
Pyrolytic system
9 heating methods, with baking stone function
TFT touch display
Panel-free appliance with surface control module
Electronic temperature control from 50 °C to 300 °C
76 litres net volume

Heating methods

Hot air.
 Eco hot air.
 Top + bottom heat.
 Top heat.
 Bottom heat.
 Hot air+ bottom heat.
 Full surface grill + circulated air.
 Full surface grill.
 Baking stone function.

Handling

Rotary knob and TFT touch display operation.
 Clear text display.
 Option to save individual recipes.
 Information key with use indications.
 Side-opening door opens up to 110° angle.

Features

Baking stone socket.
 Actual temperature display.
 Rapid heating.
 Timer functions: cooking time, cooking time end, timer, stopwatch, long-term timer.
 60 W halogen light on the top.
 Enamelled side shelf supports with 4 tray levels, pyrolysis-safe.
 Home network integration for digital services (Home Connect) either via cable connection LAN (recommended) or wireless via WiFi.
 The availability of the Home Connect functionality depends on the availability of the Home Connect Services in your country. Home Connect Services are not available in every country – for further information please check: www.home-connect.com

Safety

Thermally insulated door with quintuple glazing.
 Child lock.
 Safety shut-off.
 Cooled housing with temperature protection.

Cleaning

Pyrolytic system.
 Gaggenau enamel.
 Heated air cleaning catalyser.

Planning notes

Door hinge not reversible.
 The door panel surface of the appliance extends 21 mm from the furniture cavity.
 The outer edge of the door handle extends 72 mm from the furniture cavity.
 Necessary lateral gap between appliance door and furniture panel of min. 5 mm.
 Consider the overhang, incl. the door handle, when planning to open drawers next to the appliance.
 When planning a corner solution, pay attention to the 110° door opening angle.

Characteristics

Color / Material Front
 Anthracite

Construction type
 Built-in

Integrated Cleaning system
 Pyrolytic

Required niche size for installation (HxWxD)
 590-590 x 560-560 x 550

Dimensions of the product (mm)
 595 x 590 x 547

Dimensions of the packed product (HxWxD) (mm)
 760 x 730 x 660

Control Panel Material
 Glass

Door Material
 Glass

Net weight (kg)
 54.500

Usable volume of cavity (l)
 76

Cooking method
 Baking stone function, Bottom heat, Conventional heat, Full width grill, Hot Air, Hot Air-Eco, Hot air grilling, Top heat

First cavity material
 electronic

Oven control
 electronic

Number of interior lights
 1

Approval certificates
 CE, VDE

Length of electrical supply cord (cm)
 EAN code
 4242006279899

Consumption and connection features

Number of cavities (2010/30/EC)
 1

Energy efficiency class (2010/30/EC)
 A

Energy consumption per cycle conventional (2010/30/EC)
 1.25

Energy consumption gas oven per cycle conventional (2010/30/EC)
 0.83

Energy consumption per cycle forced air convection (2010/30/EC)
 0.83

Energy consumption gas oven per cycle forced air convection (2010/30/EC)
 95.4

Energy efficiency index (2010/30/EC)
 95.4

Connection rating (W)
 3700

Current (A)
 16

Voltage (V)
 220-240

Frequency (Hz)
 50

Plug type
 fixed connection, no plug

created on 2020-04-01
Page 1

For installation underneath cooktops: Distance between the underside of the cooktop and the top edge of the oven cavity: min. 15 mm. The planning notes for the cooktops (particularly regarding ventilation, gas/electric connection) must be taken into account.

To achieve the 550 mm installation depth, the connection cable needs to follow the slanted edge on the corner of the housing.

The main socket needs to be planned outside of the niche.

Connection

Energy efficiency class A at a range of energy efficiency classes from A+++ to D.
 Total connected load 3.7 kW.
 Plan a connection cable.
 Power consumption standby/display off 0.5 W.
 Power consumption standby/network 1.2 W.
 Time auto-standby/network 20 min.

Color Variants

BOP221102
Full glass door in Gaggenau Anthracite
Width 60 cm

BOP221112
Full glass door in Gaggenau Metallic
Width 60 cm

BOP221132
Full glass door in Gaggenau Silver
Width 60 cm

Included accessories

1 x enamel baking tray.
 suit. pyrolytic clean.
 1 x glass pan.
 1 x grill shelf.

Optional accessories

BA026115
Baking tray, enamelled

BA046115
Glass tray

BA056133
Baking stone

BA226105
Grill tray, enamelled

BS020002
Pizza paddle, set of 2

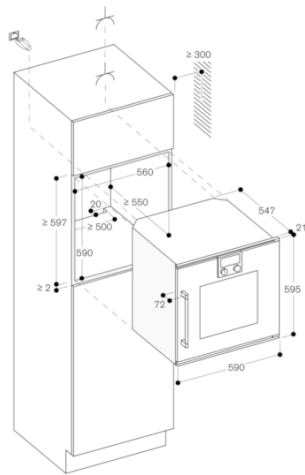
GN340230
Gastronorm roaster in cast aluminium

Product Variants

BOP220102
Oven 200 series
Full glass door in Gaggenau Anthracite
Width 60 cm
Right-hinged

BOP221102
Oven 200 series
Full glass door in Gaggenau Anthracite
Width 60 cm
Left-hinged

created on 2020-04-01
Page 2



measurements in mm