



BMP251110
Combi-microwave oven 200 series
Full glass door in Gaggenau Metallic
Width 60 cm
Left-hinged
Controls at the top

Flush installation
Single operation and combination of microwave, grill and oven
Sequential operation of up to 5 modes incl. programming of combined operation and rest time
TFT touch display
Panel-free appliance with surface control module
Electronic temperature control
Interior volume 36 litres

Programmes

Microwave operation with 5 output levels: 1000, 600, 360, 180, 90 W.
Oven operation with 4 heating methods: Hot air 40 °C and from 100 °C to 250 °C,
Full surface grill + hot air from 100 °C to 250 °C,
Full surface grill + circulated air from 100 °C to 250 °C
Full surface grill with 3 levels of intensity, maximum output 2000 W.
Heating methods with microwave output levels 600, 360, 180 and 90 W freely combinable.
15 automatic programmes with weight indication, customisable:
4 defrosting programmes
4 cooking programmes
7 combination programmes
Option to save individual recipes.

Handling

Rotary knob and TFT touch display operation.
Clear text display in 25 languages.
Information key with use indications.
Side-opening door opens up to 110° angle.

Features

Innowave.
Rapid heating.
4 rack levels.
Actual temperature display.
60 W halogen light on the side.

Safety

Thermally insulated door with triple glazing.
Triple door lock.
Child lock.
Safety shut-off.
Cooled housing with temperature protection.

Cleaning

Hygienic stainless steel interior with glass ceramic base.
Interior back wall with catalytic coating.

Planning notes

Door hinge not reversible.
Plan the niche without back wall.
Necessary lateral gap between appliance door and furniture panel of min. 5 mm.
The door panel surface of the appliance extends 21 mm from the furniture cavity.
The outer edge of the door handle extends 72 mm from the furniture cavity.
Consider the overhang, incl. the door handle, when planning to open drawers next to the appliance.
When planning a corner solution, pay attention to the 110° door opening angle.
The mains socket needs to be planned outside of the built-in niche.

Connection

Characteristics

Type of micro-wave oven
MW-Combi
Type of control
Electronic
Color / Material Front
Dimensions of the product (mm)
455 x 590 x 559
Cavity dimensions (mm)
236.0 x 445.0 x 348.0
Length of electrical supply cord (cm)
150
Net weight (kg)
35.440
Gross weight (kg)
41.0
EAN code
4242006218430

Consumption and connection features

Maximum micro-wave power (W)
1000
Power of the booster function (W)
Connection rating (W)
3100
Current (A)
16
Voltage (V)
220-240
Frequency (Hz)
50; 60
Plug type
fixed connection, no plug

created on 2020-04-04

Page 1

Total connected load 3.1 kW.
Connection cable 1.5 m without plug.

Color Variants

BMP251110
Full glass door in Gaggenau Metallic
Width 60 cm
BMP251100
Full glass door in Gaggenau Anthracite
Width 60 cm
BMP251130
Full glass door in Gaggenau Silver
Width 60 cm

Included accessories

1 x combination grid.
1 x glass tub.

Product Variants

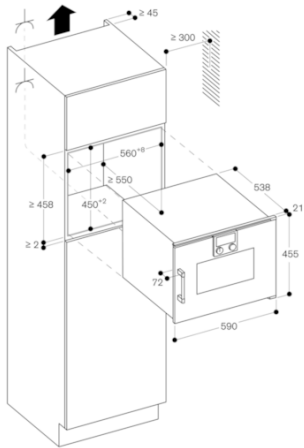
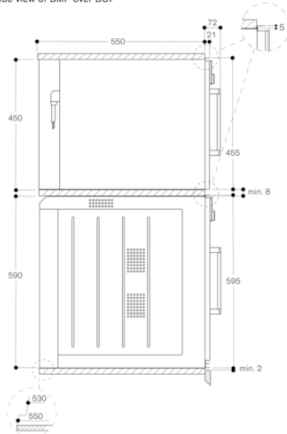
BMP250110
Combi-microwave oven 200 series
Full glass door in Gaggenau Metallic
Width 60 cm
Right-hinged
Controls at the top

GAGGENAU

BMP251110
Combi-microwave oven 200 series
Full glass door in Gaggenau Metallic
Width 60 cm
Left-hinged
Controls at the top

created on 2020-04-04
Page 2

Side view of BMP over BOP



Socket
measurements in mm