



Color Variants

BMP250130

Full glass door in Gaggenau Silver

Width 60 cm

BMP250100

Full glass door in Gaggenau Anthracite

Width 60 cm

BMP250110

Full glass door in Gaggenau Metallic

Width 60 cm

Included accessories

1 x combination grid.

1 x glass tub.

Product Variants

BMP251130

Combi-microwave oven 200 series

Full glass door in Gaggenau Silver

Width 60 cm

Left-hinged

Controls at the top

BMP250130

Combi-microwave oven 200 series

Full glass door in Gaggenau Silver

Width 60 cm

Right-hinged

Controls at the top

Flush installation

Single operation and combination of microwave, grill and oven

Sequential operation of up to 5 modes incl. programming of

combined operation and rest time

TFT touch display

Panel-free appliance with surface control module

Electronic temperature control

Interior volume 36 litres

Programmes

Microwave operation with 5 output levels: 1000, 600, 360, 180, 90 W.

Oven operation with 4 heating methods:

Hot air 40 °C and from 100 °C to 250 °C,

Full surface grill + hot air from 100 °C to 250 °C,

Full surface grill + circulated air from 100 °C to 250 °C

Full surface grill with 3 levels of intensity, maximum output 2000 W. Heating methods with microwave output levels 600, 360, 180 and 90 W freely combinable.

15 automatic programmes with weight indication, customisable:

4 defrosting programmes

4 cooking programmes

7 combination programmes

Option to save individual recipes.

Handling

Rotary knob and TFT touch display operation.

Clear text display in 25 languages.

Information key with use indications.

Side-opening door opens up to 110° angle.

Features

Innowave.

Rapid heating.

4 rack levels.

Actual temperature display.

60 W halogen light on the side.

Safety

Thermally insulated door with triple glazing.

Triple door lock.

Child lock.

Safety shut-off.

Cooled housing with temperature protection.

Cleaning

Hygienic stainless steel interior with glass ceramic base.

Interior back wall with catalytic coating.

Planning notes

Door hinge not reversible.

Plan the niche without back wall.

Necessary lateral gap between appliance door and furniture panel of min. 5 mm.

The outer edge of the door handle extends 72 mm from the furniture cavity.

Consider the overhang, incl. the door handle, when planning to open drawers next to the appliance.

When planning a corner solution, pay attention to the 110° door opening angle.

The mains socket needs to be planned outside of the built-in niche.

Connection

Total connected load 3.1 kW.

Connection cable 1.5 m without plug.

Characteristics

Type of micro-wave oven

MW-Combi

Type of control

Electronic

Color / Material Front

Dimensions of the product (mm)

455 x 590 x 559

Cavity dimensions (mm)

236.0 x 445.0 x 348.0

Length of electrical supply cord (cm)

150

Net weight (kg)

35.740

Gross weight (kg)

41.2

EAN code

4242006218416

Consumption and connection features

Maximum micro-wave power (W)

1000

Power of the booster function (W)

3100

Connection rating (W)

3100

Current (A)

16

Voltage (V)

220-240

Frequency (Hz)

50; 60

Plug type

fixed connection, no plug

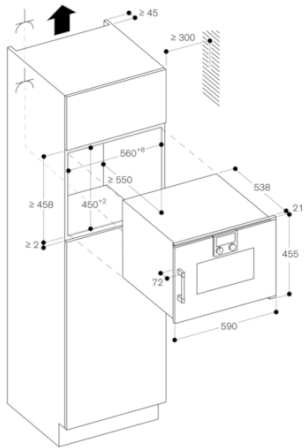
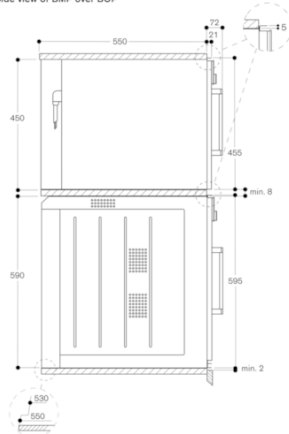
created on 2020-04-08

Page 1

GAGGENAU

BMP250130
Combi-microwave oven 200 series
Full glass door in Gaggenau Silver
Width 60 cm
Right-hinged
Controls at the top
created on 2020-04-08
Page 2

Side view of BMP over BOP



Socket
measurements in mm