



**BMP250100**  
**Combi-microwave oven 200 series**  
**Full glass door in Gaggenau Anthracite**  
**Width 60 cm**  
**Right-hinged**  
**Controls at the top**

**Flush installation**  
Single operation and combination of microwave, grill and oven  
Sequential operation of up to 5 modes incl. programming of combined operation and rest time  
TFT touch display  
Panel-free appliance with surface control module  
Electronic temperature control  
Interior volume 36 litres

#### Programmes

Microwave operation with 5 output levels: 1000, 600, 360, 180, 90 W.  
Oven operation with 4 heating methods: Hot air 40 °C and from 100 °C to 250 °C,  
Full surface grill + hot air from 100 °C to 250 °C,  
Full surface grill + circulated air from 100 °C to 250 °C  
Full surface grill with 3 levels of intensity, maximum output 2000 W.  
Heating methods with microwave output levels 600, 360, 180 and 90 W freely combinable.  
15 automatic programmes with weight indication, customisable:  
4 defrosting programmes  
4 cooking programmes  
7 combination programmes  
Option to save individual recipes.

#### Handling

Rotary knob and TFT touch display operation.  
Clear text display in 25 languages.  
Information key with use indications.  
Side-opening door opens up to 110° angle.

#### Features

Innowave.  
Rapid heating.  
4 rack levels.  
Actual temperature display.  
60 W halogen light on the side.

#### Safety

Thermally insulated door with triple glazing.  
Triple door lock.  
Child lock.  
Safety shut-off.  
Cooled housing with temperature protection.

#### Cleaning

Hygienic stainless steel interior with glass ceramic base.  
Interior back wall with catalytic coating.

#### Planning notes

Door hinge not reversible.  
Plan the niche without back wall.  
Necessary lateral gap between appliance door and furniture panel of min. 5 mm.  
The outer edge of the door handle extends 72 mm from the furniture cavity.  
Consider the overhang, incl. the door handle, when planning to open drawers next to the appliance.  
When planning a corner solution, pay attention to the 110° door opening angle.  
The mains socket needs to be planned outside of the built-in niche.

#### Connection

Total connected load 3.1 kW.  
Connection cable 1.5 m without plug.

#### Characteristics

**Type of micro-wave oven**  
MW-Combi  
**Type of control**  
Electronic  
**Color / Material Front**  
Anthracite  
**Dimensions of the product (mm)**  
455 x 590 x 559  
**Cavity dimensions (mm)**  
236.0 x 445.0 x 348.0  
**Length of electrical supply cord (cm)**  
150  
**Net weight (kg)**  
35.490  
**Gross weight (kg)**  
41.0  
**EAN code**  
4242006218393

#### Consumption and connection features

**Maximum micro-wave power (W)**  
1000  
**Power of the booster function (W)**  
3100  
**Connection rating (W)**  
3100  
**Current (A)**  
16  
**Voltage (V)**  
220-240  
**Frequency (Hz)**  
50; 60  
**Plug type**  
fixed connection, no plug

created on 2020-04-03

Page 1

#### Color Variants

**BMP250100**  
Full glass door in Gaggenau Anthracite  
Width 60 cm  
**BMP250110**  
Full glass door in Gaggenau Metallic  
Width 60 cm  
**BMP250130**  
Full glass door in Gaggenau Silver  
Width 60 cm

#### Included accessories

1 x combination grid.  
1 x glass tub.

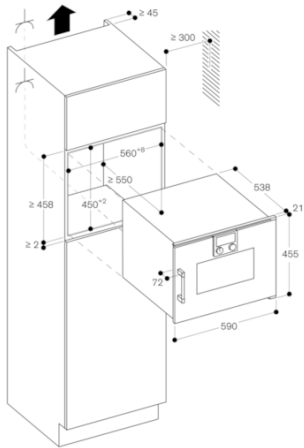
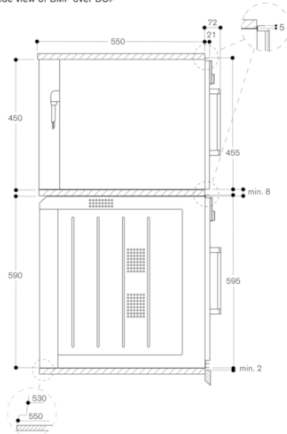
#### Product Variants

**BMP251100**  
Combi-microwave oven 200 series  
Full glass door in Gaggenau Anthracite  
Width 60 cm  
Left-hinged  
Controls at the top

# GAGGENAU

BMP250100  
Combi-microwave oven 200 series  
Full glass door in Gaggenau Anthracite  
Width 60 cm  
Right-hinged  
Controls at the top  
created on 2020-04-03  
Page 2

Side view of BMP over BOP



Socket  
measurements in mm