



BM484110
Combi-microwave oven 400 series
Stainless steel-backed full glass door
Width 76 cm
Right-hinged
Controls at the bottom

Handleless door / automatic door opening
Single operation and combination of microwave, grill and oven
Sequential operation of up to 5 modes incl. programming of combined operation and rest time
TFT touch display
Panel-free appliance with surface control module
Electronic temperature control
Interior volume 36 litres

Programmes

Microwave operation with 5 output levels: 1000, 600, 360, 180, 90 W.
Oven operation with 4 heating methods: Hot air 40 °C and from 100 °C to 250 °C,
Full surface grill + hot air from 100 °C to 250 °C,
Full surface grill + circulated air from 100 °C to 250 °C
Full surface grill with 3 levels of intensity, maximum output 2000 W.
Heating methods with microwave output levels 600, 360, 180 and 90 W freely combinable.
15 automatic programmes with weight indication, customisable:
4 defrosting programmes
4 cooking programmes
7 combination programmes
Option to save individual recipes.

Handling

Automatic door opening.
Rotary knob and TFT touch display operation.
Clear text display in 25 languages.
Information key with use indications.
Side-opening door opens up to 180° angle.

Features

Innowave.
Rapid heating.
4 rack levels.
Actual temperature display.
60 W halogen light on the side.

Safety

Thermally insulated door with triple glazing.
Triple door lock.
Child lock.
Safety shut-off.
Cooled housing with temperature protection.

Cleaning

Hygienic stainless steel interior with glass ceramic base.
Interior back wall with catalytic coating.

Planning notes

Door hinge not reversible.
The door panel surface of the appliance extends 47 mm from the furniture cavity.
If the handle (optional accessory) is retrofitted, the outer edge of the door handle extends 94 mm from the furniture cavity.
Consider the overhang, incl. the door handle where applicable, when planning to open drawers next to the appliance.
When planning a corner solution, pay attention to the 110° door opening angle.
The mains socket needs to be planned outside of the built-in niche.

Characteristics

Type of micro-wave oven
MW-Combi
Type of control
Electronic
Color / Material Front
Dimensions of the product (mm)
455 x 752 x 582
Cavity dimensions (mm)
236.0 x 445.0 x 348.0
Length of electrical supply cord (cm)
150
Net weight (kg)
44.090
Gross weight (kg)
49.6
EAN code
4242006242947

Consumption and connection features

Maximum micro-wave power (W)
1000
Power of the booster function (W)
Connection rating (W)
3100
Current (A)
16
Voltage (V)
220-240
Frequency (Hz)
60; 50
Plug type
fixed connection, no plug

created on 2020-02-17

Page 1

Connection

Total connected load 3.1 kW.
Connection cable 1.5 m without plug.

Color Variants

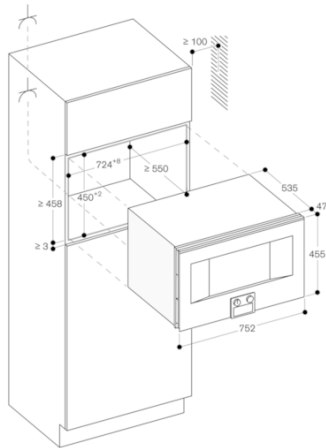
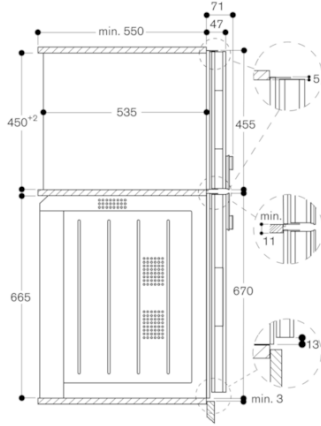
BM484110
Stainless steel-backed full glass door
Width 76 cm

Included accessories

1 x combination grid.
1 x glass tub.

BM484110
Combi-microwave oven 400 series
Stainless steel-backed full glass door
Width 76 cm
Right-hinged
Controls at the bottom
created on 2020-02-17
Page 2

Side view of BM 484/485 above BO



Socket
measurements in inches (mm)