



BM454100
Combi-microwave oven 400 series
Full glass door in Gaggenau Anthracite
Width 60 cm
Right-hinged
Controls at the bottom

Handleless door / automatic door opening
Single operation and combination of microwave, grill and oven
Sequential operation of up to 5 modes incl. programming of combined operation and rest time
TFT touch display
Panel-free appliance with surface control module
Electronic temperature control
Interior volume 36 litres

Programmes

Microwave operation with 5 output levels: 1000, 600, 360, 180, 90 W.
 Oven operation with 4 heating methods: Hot air 40 °C and from 100 °C to 250 °C,
 Full surface grill + hot air from 100 °C to 250 °C,
 Full surface grill + circulated air from 100 °C to 250 °C
 Full surface grill with 3 levels of intensity, maximum output 2000 W.
 Heating methods with microwave output levels 600, 360, 180 and 90 W freely combinable.
 15 automatic programmes with weight indication, customisable:
 4 defrosting programmes
 4 cooking programmes
 7 combination programmes
 Option to save individual recipes.

Handling

Automatic door opening.
 Rotary knob and TFT touch display operation.
 Clear text display in 25 languages.
 Information key with use indications.
 Side-opening door opens up to 180° angle.

Features

Innowave.
 Rapid heating.
 4 rack levels.
 Actual temperature display.
 60 W halogen light on the side.

Safety

Thermally insulated door with triple glazing.
 Triple door lock.
 Child lock.
 Safety shut-off.
 Cooled housing with temperature protection.

Cleaning

Hygienic stainless steel interior with glass ceramic base.
 Interior back wall with catalytic coating.

Planning notes

Door hinge not reversible.
 Plan the niche without back wall.
 The door panel surface of the appliance extends 47 mm from the furniture cavity.
 If the handle (optional accessory) is retrofitted, the outer edge of the door handle extends 94 mm from the furniture cavity.
 Consider the overhang, incl. the door handle where applicable, when planning to open drawers next to the appliance.
 When planning a corner solution, pay attention to the 110° door opening angle.

Characteristics

Type of micro-wave oven
 MW-Combi
Type of control
 Electronic
Color / Material Front
 Anthracite
Dimensions of the product (mm)
 455 x 590 x 582
Cavity dimensions (mm)
 236.0 x 445.0 x 348.0
Length of electrical supply cord (cm)
 150
Net weight (kg)
 37.490
Gross weight (kg)
 43.0
EAN code
 4242006249533

Consumption and connection features

Maximum micro-wave power (W)
 1000
Power of the booster function (W)
 3100
Connection rating (W)
 3100
Current (A)
 16
Voltage (V)
 220-240
Frequency (Hz)
 60; 50
Plug type
 fixed connection, no plug

created on 2020-03-06
 Page 1

The mains socket needs to be planned outside of the built-in niche.

Connection

Total connected load 3.1 kW.
 Connection cable 1.5 m without plug.

Color Variants

BM454100
Full glass door in Gaggenau Anthracite
Width 60 cm
BM454110
Stainless steel-backed full glass door
Width 60 cm

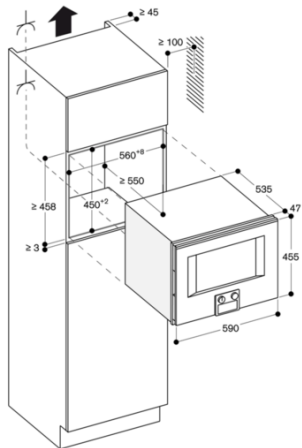
Included accessories

1 x combination grid.
 1 x glass tub.

Product Variants

BM450100
Combi-microwave oven 400 series
Full glass door in Gaggenau Anthracite
Width 60 cm
Right-hinged
Controls at the top
BM451100
Combi-microwave oven 400 series
Full glass door in Gaggenau Anthracite
Width 60 cm
Left-hinged
Controls at the top
BM455100
Combi-microwave oven 400 series
Full glass door in Gaggenau Anthracite
Width 60 cm
Left-hinged
Controls at the bottom

BM454100
Combi-microwave oven 400 series
Full glass door in Gaggenau Anthracite
Width 60 cm
Right-hinged
Controls at the bottom
created on 2020-03-06
Page 2



Socket
measurements in mm

Side view of BM 454/455 above BO

