



<b>AL400192</b>
<b>Table ventilation</b>
<b>stainless steel</b>
<b>Width 90 cm</b>
<b>Air extraction/recirculation</b>
<b>Motorless</b>



Telescopic table ventilation for combination with all Gaggenau cooktops, completely retractable when not in use

Can be combined perfectly with all Vario cooktops 400 series  
Dimmable, neutral white surface LED light for ideal illumination of the whole cooktop

Precision crafting of 3 mm stainless steel

For surface installation with a visible edge or for flush installation  
Motorless, can be combined with Gaggenau BLDC remote fan units

#### Output

Power levels depend on the remote fan unit.

#### Features

Three electronically controlled power levels and an intensive mode.

Interval ventilation, 6 min.

Run-on function, 6 min.

Grease filter saturation indicator.

2 large-scale metal grease filters included, easy to remove, dishwasher-safe.

Grease drip trays, easy to remove and dishwasher-safe.

Neutral white surface LED light (3600 K), continuously dimmable.

Lamp output 4 x LED light bars 10W.

Illuminance: 400 lx

Flexible connection options to the remote fan unit: at the bottom, at the front or at the back.

In all the options, it is possible to have space for drawers in front of the table ventilation.

#### Product rating

Consumption data is referred to a configuration with the remote fan unit AR 400 142.

Energy efficiency class A at a range of energy efficiency classes from A+++ to D.

Energy consumption 45.5 kWh/year.

Ventilation efficiency class A.

Illumination efficiency class C.

Grease filter efficiency class B.

Sound level min. 45 dB / max. 61 dB normal mode.

#### Planning notes

Combinable with all cooktops Vario 400 series, 400 series and 200 series.

Maximum cooktops width: 90 cm.

Depending on the type of installation, the corresponding accessories must be ordered separately.

For optimum performance in air recirculation we recommend an outflow surface area of at least 400 cm<sup>2</sup>.

Operation of Vario cooking appliances only possible without appliance cover.

Max. output of cooktops 18 kW.

The table ventilation must have its own worktop cut-out.

The bearing capacity and stability, in the case of thin worktops in particular, must be supported using suitable substructures. Take into account the appliance weight and additional loads.

The remaining surface of the worktop (min. 50 mm) between the cut-outs must be reinforced with a support. It is recommended to use furniture support AA 409 401/431.

#### Characteristics

<b>Product name/family</b>
<b>Color chimney</b>
<b>Typology</b> Downdraft
<b>Approval certificates</b> Australia Standards, CE, Eurasian, G-Mark, VDE
<b>Length of electrical supply cord</b> 170
<b>Required niche size for installation (HxWxD)</b> 540mm x 840.0mm x 125mm
<b>Height of the chimney</b>
<b>Height of product, without chimney</b> 540
<b>Minimum distance above an electric hob</b>
<b>Minimum distance above a gas hob</b>
<b>Net weight</b> 34.0
<b>Type of control</b> Electronic
<b>Number of speed settings</b>
<b>Maximum output air extraction</b> 600
<b>Boost position output recirculating</b>
<b>Maximum output recirculating air</b> 530
<b>Boost position air extraction</b>
<b>Number of lights (Stck)</b> 4
<b>Noise level</b> 61
<b>Diameter of air outlet</b>
<b>Grease filter material</b> Washable stainless steel
<b>EAN code</b> 4242006298944
<b>Connection rating</b> 65
<b>Fuse protection</b> 10
<b>Voltage</b> 230
<b>Frequency</b> 50; 60
<b>Plug type</b> Gardy plug w/ earthing, GB plug
<b>Installation type</b> Built-in

#### Consumption and connection features

created on 2022-06-14

Page 1

Additional instructions for flush installation:

Installation is possible in worktops made of stone, synthetics or solid wood. Heat resistance and watertight sealing of the cut edges must be observed. Concerning other materials please consult the worktop manufacturer.

Depending on the type of installation, ovens can be combined with the table ventilation.

When installing a ventilation hood with air extraction mode and a chimney-vented fireplace, the hood's power supply line needs to feature a suitable safety switch.

The control unit should be accessible and be secured to a panel of the cabinet that avoids any risk of flooding.

#### Connection

Total connected load 65 W.

Connecting cable 1.7 m with plug.

Network cable 1,2 m.

#### Color Variants

**AL400192**  
stainless steel  
Width 90 cm

#### Optional accessories

**AA400510**  
Window contact switch

#### Required installation accessories

**AD854050**  
Connecting piece for AL 400  
Metal zinc coated  
DN 150 flat

#### Installation Accessories

**AA409401**  
Furniture support for table ventilation  
AL 400 90 cm  
**AD704050**  
Air collector box for AL 400  
Metal zinc coated  
DN 150 flat

AL400192

Table ventilation

stainless steel

Width 90 cm

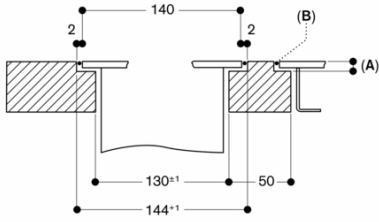
Air extraction/recirculation

Motorless

created on 2022-06-14

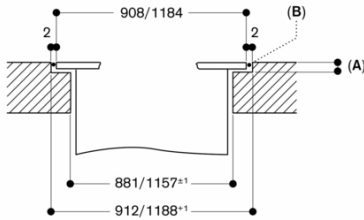
Page 2

Cross section

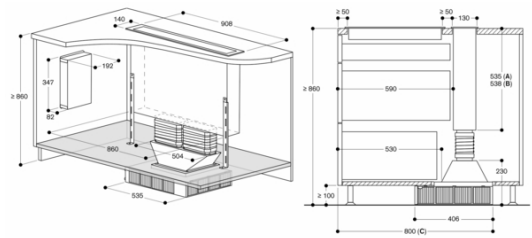


A: 3.5<sup>±0.5</sup> mm  
B: Fill with silicone  
Measurements in mm

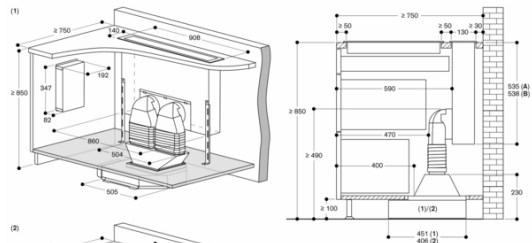
Longitudinal section



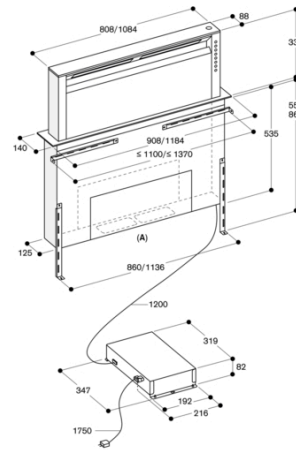
A: 3.5<sup>±0.5</sup> mm  
B: Fill with silicone  
Measurements in mm



A: Surface mounting  
B: Flush mounting  
C: 750 mm with a worktop at min. height 920 mm  
Measurements in mm

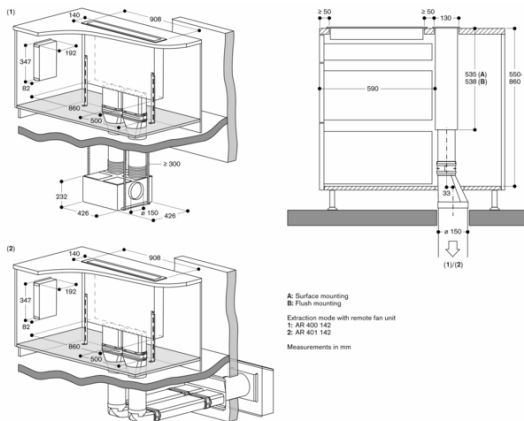


A: Surface mounting  
B: Flush mounting  
Extraction mode with remote fan unit  
1: AR 400 122  
2: AR 413 122  
Measurements in mm



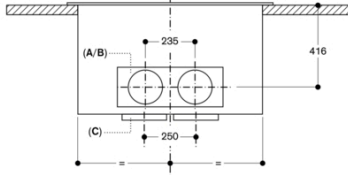
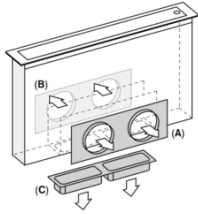
A: Flexible connection of the hood at the front, the back, or at the bottom

Measurements in mm

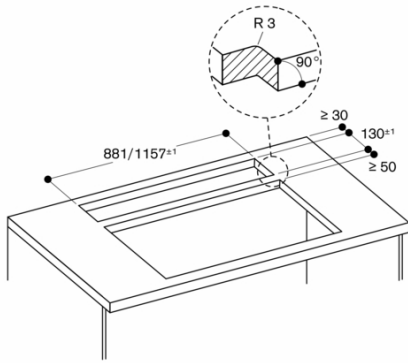


A: Surface mounting  
B: Flush mounting  
Extraction mode with remote fan unit  
1: AR 400 142  
2: AR 401 142  
Measurements in mm

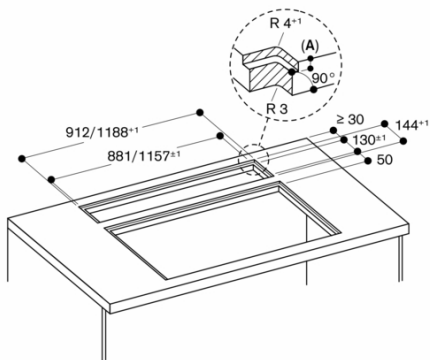
AL400192  
 Table ventilation  
 stainless steel  
 Width 90 cm  
 Air extraction/recirculation  
 Motorless  
 created on 2022-06-14  
 Page 3



A: Connection at the front with AD 754 049  
 B: Connection at the back with AD 754 049  
 C: Connection at the bottom with AD 854 050  
 Measurements in mm

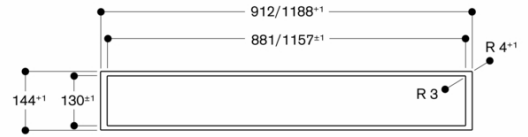


Measurements in mm



A: 3.5<sup>±0.5</sup> mm  
 Measurements in mm

View from above



Measurements in mm

AA 409 401/431 furniture support

