



AL400122
Table ventilation
stainless steel
Width 120 cm
Air extraction/recirculation
Motorless

Telescopic table ventilation for combination with all Gaggenau cooktops, completely retractable when not in use
Can be combined perfectly with all Vario cooktops 400 series
Dimmable, neutral white surface LED light for ideal illumination of the whole cooktop
Precision crafting of 3 mm stainless steel
For surface installation with a visible edge or for flush installation
Motorless, can be combined with Gaggenau BLDC remote fan units

Output

Power levels depend on the remote fan unit.

Features

Three electronically controlled power levels and an intensive mode.
Interval ventilation, 6 min.
Run-on function, 6 min.
Grease filter saturation indicator.
2 large-scale metal grease filters included, easy to remove, dishwasher-safe.
Grease drip trays, easy to remove and dishwasher-safe.
Neutral white surface LED light (3600 K), continuously dimmable.
Lamp output 4 x LED light bars 10W.
Illuminance: 400 lx
Flexible connection options to the remote fan unit: at the bottom, at the front or at the back.
In all the options, it is possible to have space for drawers in front of the table ventilation.

Product rating

The table ventilation is recommended only in recirculation mode for EU countries, the consumption data is not mandatory in this mode.

Planning notes

Combinable with all cooktops Vario 400 series and 400 series.
Maximum cooktops width: 120 cm.
It is recommended to use two remote fan units so that sufficient vapour captation will be ensured.
In EU countries due to legislation EU 66/2014 only air recirculation is recommended.
Depending on the type of installation, the corresponding accessories must be ordered separately.
For optimum performance in air recirculation we recommend an outflow surface area of at least 800 cm². 400 cm² for each remote fan unit.
Operation of Vario cooking appliances only possible without appliance cover.
Max. output of cooktops 18 kW.
The table ventilation must have its own worktop cut-out.
The bearing capacity and stability, in the case of thin worktops in particular, must be supported using suitable substructures. Take into account the appliance weight and additional loads.
The remaining surface of the worktop (min. 50 mm) between the cut-outs must be reinforced with a support. It is recommended to use furniture support AA 409 401/431.
Additional instructions for flush installation:

Characteristics

Product name/family
Color chimney
Typology
Downdraft
Approval certificates
Australia Standards, CE, Eurasian, G-Mark, VDE
Length of electrical supply cord
170
Required niche size for installation (HxWxD)
540mm x 1140.0mm x 125mm
Height of the chimney
Height of product, without chimney
540
Minimum distance above an electric hob
Minimum distance above a gas hob
Net weight
40.7
Type of control
Electronic
Number of speed settings
Maximum output air extraction
1020
Boost position output recirculating
Maximum output recirculating air
580
Boost position air extraction
1140
Number of lights (Stck)
4
Noise level
Diameter of air outlet
Grease filter material
Washable stainless steel
EAN code
4242006298937
Connection rating
65
Fuse protection
10
Voltage
230
Frequency
50; 60
Plug type
Gardy plug w/ earthing, GB plug
Installation type
Built-in

Consumption and connection features

created on 2022-06-14

Page 1

Installation is possible in worktops made of stone, synthetics or solid wood. Heat resistance and watertight sealing of the cut edges must be observed. Concerning other materials please consult the worktop manufacturer.

Depending on the type of installation, ovens can be combined with the table ventilation.

When installing a ventilation hood with air extraction mode and a chimney-vented fireplace, the hood's power supply line needs to feature a suitable safety switch.

The control unit should be accessible and be secured to a panel of the cabinet that avoids any risk of flooding.

Connection

Total connected load 65 W.
Connecting cable 1.7 m with plug.
Network cable 1,2 m.

Color Variants

AL400122
stainless steel
Width 120 cm

Optional accessories

AA400510
Window contact switch

Required installation accessories

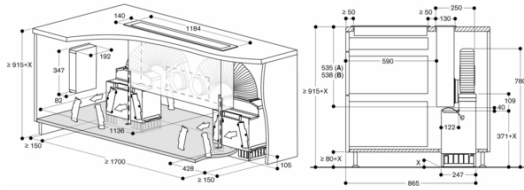
AD854050
Connecting piece for AL 400
Metal zinc coated
DN 150 flat

Installation Accessories

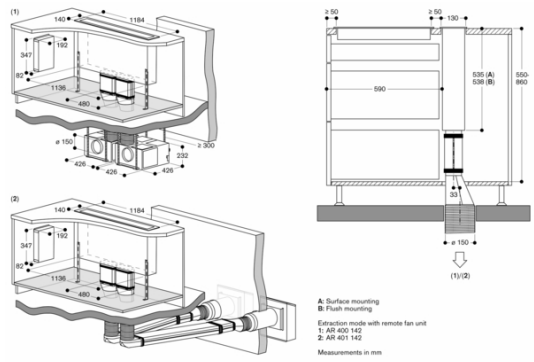
AA400510
Window contact switch
AA409431
Furniture support for table ventilation
AL 400 120 cm
AD704050
Air collector box for AL 400
Metal zinc coated
DN 150 flat

AL400122
 Table ventilation
 stainless steel
 Width 120 cm
 Air extraction/recirculation
 Motorless

created on 2022-06-14
 Page 2

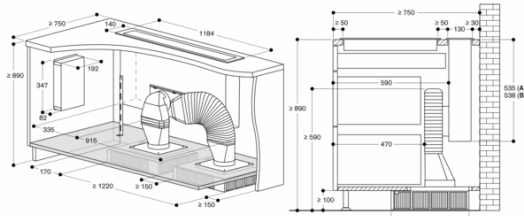
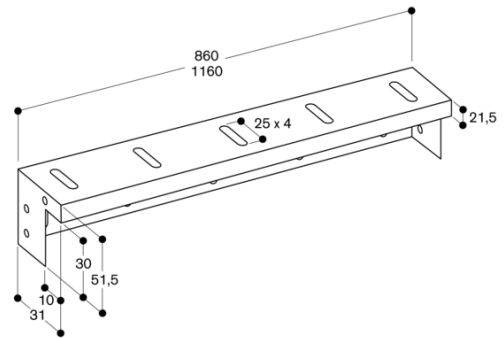


A: Surface mounting
 B: Flush mounting
 Measurements in mm

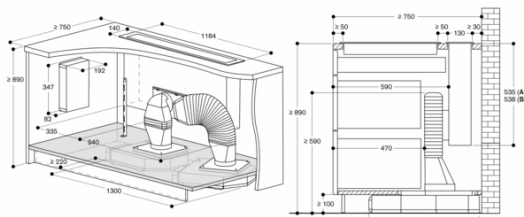


A: Surface mounting
 B: Flush mounting
 Extraction mode with remote fan unit
 1: AB 400 142
 2: AR 401 142
 Measurements in mm

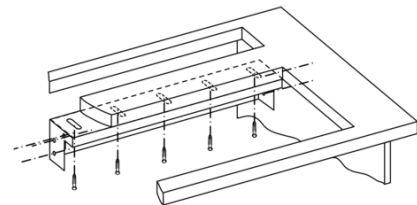
AA 409 401/431 furniture support



A: Surface mounting
 B: Flush mounting
 Measurements in mm



A: Surface mounting
 B: Flush mounting
 Measurements in mm



AL400122

Table ventilation

stainless steel

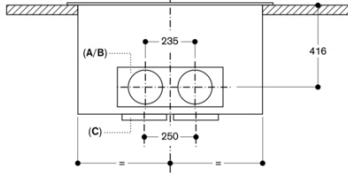
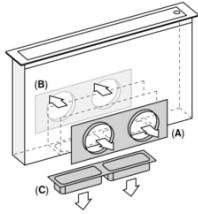
Width 120 cm

Air extraction/recirculation

Motorless

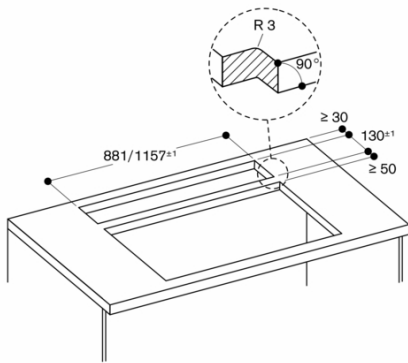
created on 2022-06-14

Page 3

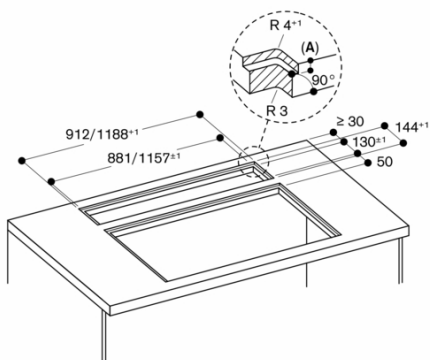


A: Connection at the front with AD 754 049
B: Connection at the back with AD 754 049
C: Connection at the bottom with AD 854 050

Measurements in mm



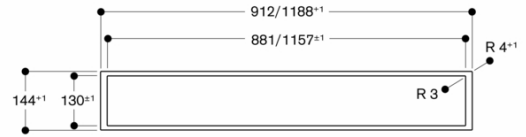
Measurements in mm



A: 3.5^{±0.5} mm

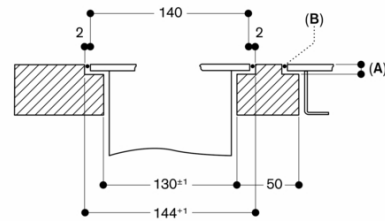
Measurements in mm

View from above



Measurements in mm

Cross section

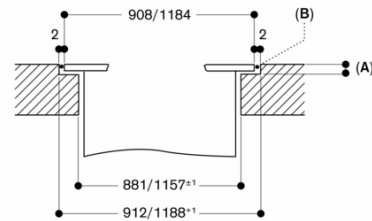


A: 3.5^{±0.5} mm

B: Fill with silicone

Measurements in mm

Longitudinal section



A: 3.5^{±0.5} mm

B: Fill with silicone

Measurements in mm